

# FULL SIZE CHEVY & IMPALA®



*Golden Leaf Automotive*

# 2011

# Full Size Chevy® Index

Air Vent Assemblies: FS3  
Battery Trays, Clamps, Bolts: FS1  
Door Latches: FS2

Front Valances: FS1  
Fuel Senders: FS2  
Headlamp Bezels: FS2

Hood Hinges & Latches: FS2  
Parking Brake Assemblies: FS3  
Scuff Plates: FS3



General Motors Trademarks  
are used under License to  
Dynacorn International Inc.

## Impala™ Index

### A

A/C Vent Ball: 10  
Arm Rest Bases: 43  
Antenna Kit: 36-39

### B

“Body By Fisher” Decal: 47  
Back Up Lenses & Trim: 36-39  
Battery Trays, Clamps & Bolts: 4-5  
Bumpers: 1  
    Brackets, Guards, Reinforcement: 2  
    Filler: 3  
Body Side Molding: 30  
Body Shim & Trailing Arm: 5  
Body Bushing: 47

### C

Cigarette Lighter: 46  
Clutch Countershaft (Z-Bar): 41  
Control Arm Bumper: 5  
Cowl Panels, Outer: 9  
Cross Rail Panel: 13

### D

Dash Panel, Steel: 10  
Deck Lid Filler Panel: 20  
Door Glass Assemblies: 39  
    Handles: 17-18  
    Hinges: 16  
    Latches & Striker: 16  
    Lock Knobs: 43  
    Molding: 29  
    Lower Window Frames: 39  
    Shells: 16  
Drip Rail Molding: 29

### E

Emblems: 34-35  
Eyebrow Moldings: 24-26

### F

Fender  
    Brace Skirts: 6  
    Front & Inner: 6-7  
    Moldings: 27  
    Ornaments: 33  
    To Valance Bracket: 6  
Floor Pans & Plug: 9, 10, 11  
Floor Pan Under Supports: 12

Fresh Air Vent Assemblies: 40  
Fuel Sending Units: 22-23  
    Gasket & Locking Ring: 23

### G

Gas Filler Door: 19  
Gas Tanks, Straps & Braces: 22  
Glovebox Door & Hinge: 10  
Grilles & Components: 23-26  
Grille Molding: 23-26

### H

Headlamp Bezels: 23-26  
Headlamp Mounting Buckets: 23-26  
Headlamp Switches: 46  
Heater Box Assemblies & Cores: 40  
Heater Core Case Vent: 40  
Hoods: 8-9  
    Hinges, Latches, Supports: 8-9  
    Moldings & Spears: 27  
Horns: 46  
Horn Caps: 42

### L

License Panels: 33  
License Plate Bracket: 21  
Locks: 47-48

### M

Mirrors  
    Exterior: 28  
    Interior: 43

### P

Parking Brake  
    Assemblies & Cable Guide Pulley: 41  
    Release Handle: 41  
Parking Lamp Components: 36-39  
Pedal Pads & Trim: 41

### Q

Quarter “B” Pillar Panels: 15  
Quarter Panels: 19  
Quarter Panel Molding: 31

### R

Radiator Supports: 3-4  
Rear Body Panels: 20  
Rear Seat Floor Pan: 12

Rocker Panels: 15  
Rocker Panel Molding & Clips: 30  
Roof Drip Rails: 15

### S

Scuff Plates: 44  
Seat Belts: 45  
Seat Frame Assemblies: 44  
Seat Platform Braces: 11  
Steering Wheels: 42  
Sun Visor Brackets: 43

### T

Tail Lamp Components: 36-39  
Tail Light Mounting Panels: 21  
Tail Panel Brace: 21  
Transmission Support, Crossmember: 11  
Trunk Divider Panel: 14  
Trunk  
    Floor Pans: 12-15  
    Floor Drop Offs: 15  
Trunk  
    Lids & Latch: 20-21  
    Molding: 32  
    Shelf Panel: 13  
    Spear: 32  
    Under Braces: 12-15

### V

Vent Window Actuator: 17-18  
Vent Window Cranks: 17-18

### W

Wheel Houses & Braces: 19-20  
Wheel Opening Moldings: 29, 30  
Window Cranks: 17-18  
Window Moldings  
    Front: 28  
    Rear: 31  
Window Regulators: 16  
Window Seals, Rubber: 39  
Windshield Washer Bottle Bracket: 4  
Windshield Wiper Switches: 46  
Wiper Arms: 27

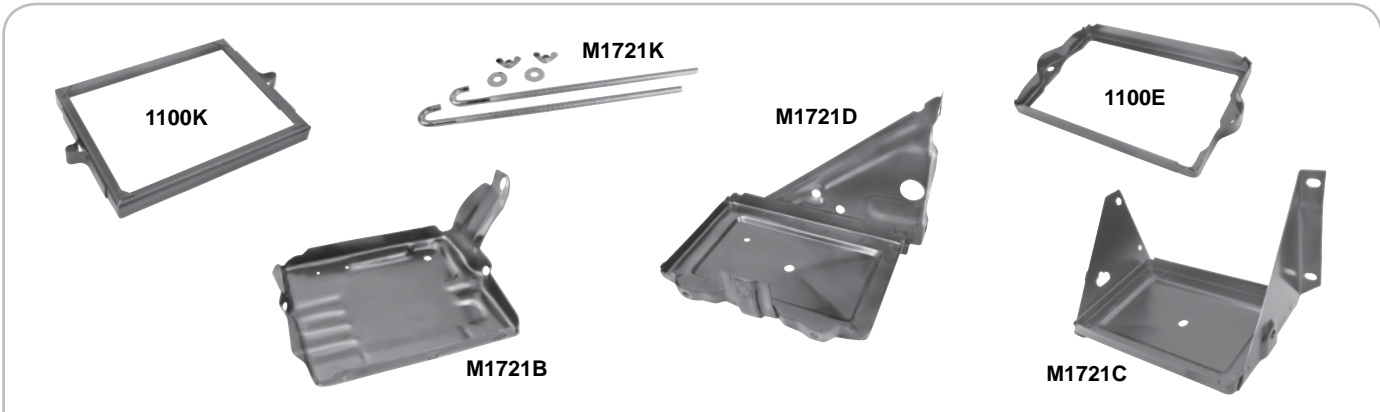
Muscle Car Parts & Molding • Muscle Car Parts & Molding • Muscle Car Parts & Molding

**Front Valances**



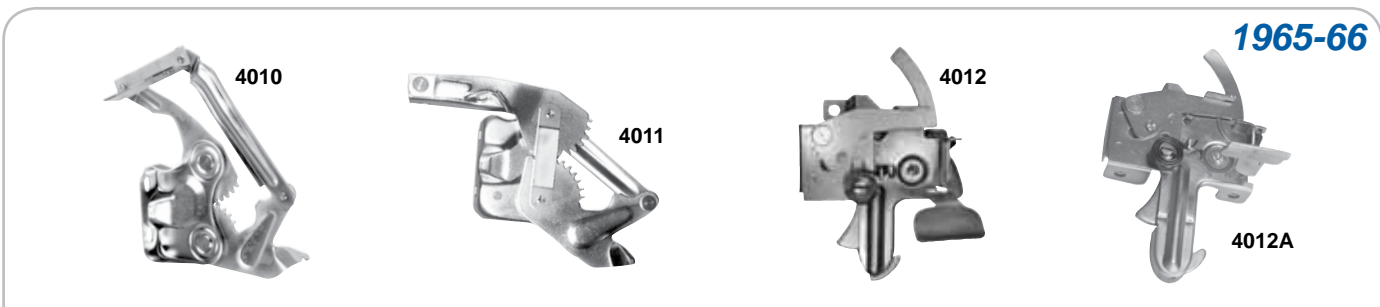
4002	1955	Front Valance Assembly, 3 pieces	<b>MSRP \$164.00 ea</b>
4000	1956	Front Valance Assembly	<b>MSRP \$164.00 ea</b>
4001	1957	Front Valance Assembly	<b>MSRP \$170.00 ea</b>

**Battery Trays & Clamps**



1100K	1940-54	Battery Clamp	<b>MSRP \$19.00 ea</b>
M1721B	1949-54	Battery Tray	<b>MSRP \$34.00 ea</b>
M1721K	1949-58	Battery Clamp Bolts	<b>MSRP \$7.00 pr</b>
M1721C	1955-56	Battery Tray	<b>MSRP \$27.00 ea</b>
1100E	1955-57	Battery Hold Down	<b>MSRP \$14.00 ea</b>
M1721D	1957	Battery Tray	<b>MSRP \$27.00 ea</b>

**Hood Components**

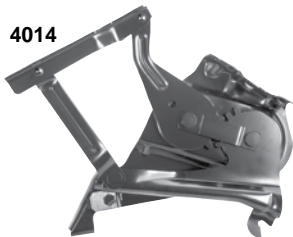


4010	1955-56	Hood Hinge, RH	<b>MSRP \$72.00 ea</b>
4011	1955-56	Hood Hinge, LH	<b>MSRP \$72.00 ea</b>
4012	1955	Hood Latch	<b>MSRP \$85.00 ea</b>
4012A	1956	Hood Latch	<b>MSRP \$85.00 ea</b>

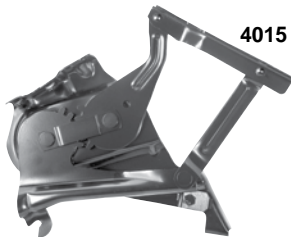
*Hood Components continued on pg. FS2...*



## Hood Components



4014



4015



4013

4014	1957	Hood Hinge, RH	<b>MSRP \$135.00 ea</b>
4015	1957	Hood Hinge, LH	<b>MSRP \$135.00 ea</b>
4013	1957	Hood Latch	<b>MSRP \$85.00 ea</b>

## Door Latches



4020



4023

4020	1955	Door Latch, RH
4021	1955	Door Latch, LH
4022	1956-57	Door Latch, RH
4023	1956-57	Door Latch, LH

**MSRP \$100.00 ea**

## Headlamp Bezels



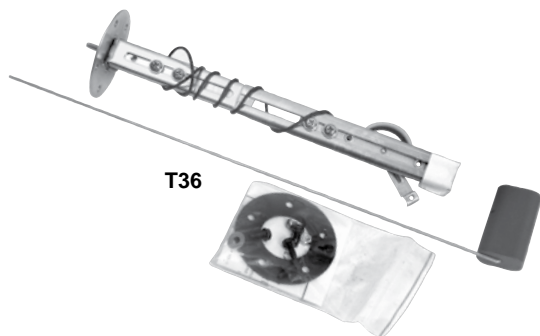
M1718A	1949-52	Headlamp Bezels
--------	---------	-----------------

**MSRP \$34.00 pr**

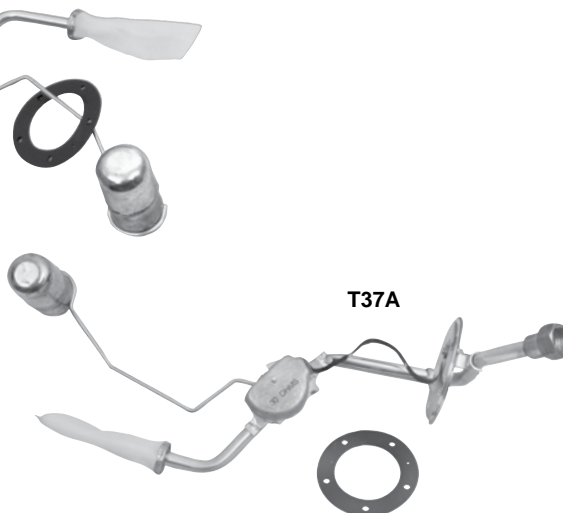
## Fuel Senders



T37



T36



T37A

T36	1931-54	Fuel Sending Unit	<b>MSRP \$45.00 ea</b>
T37	1955-57	Fuel Sending Unit, 5/16"	<b>MSRP \$60.00 ea</b>
T37A	1955-57	Fuel Sending Unit, 3/8"	<b>MSRP \$44.00 ea</b>

Muscle Car Parts & Molding • Muscle Car Parts & Molding • Muscle Car Parts & Molding

Muscle Car Parts & Molding • Muscle Car Parts & Molding • Muscle Car Parts & Molding

Parking Brake Assys.



4030	1955-56	Parking Brake Assembly	MSRP \$112.00 ea
4031	1957	Parking Brake Assembly	MSRP \$112.00 ea

Air Vent Assemblies



4040	1955-56	Air Vent Assembly, RH	MSRP \$97.00 ea
4041	1955-56	Air Vent Assembly, LH	MSRP \$97.00 ea

Scuff Plates



M4000	New	1955-57	Scuff Plates for 2 door, 2 pcs.	MSRP \$67.00 pr
M4001	New	1955-57	Scuff Plates for 4 door, 4 pcs.	MSRP \$107.00 set

## 1961-62



1705GB	New	1961	Rear Bumper Guard, Chrome	<i>Coming Soon!</i>
1705K		1962	Front Bumper	MSRP \$445.00 set
1705L		1962	Rear Bumper	MSRP \$445.00 set
1705Q	New	1962	Rear Bumper Guards, Chrome	<i>Coming Soon!</i>

## 1963



1705B		1963	Front Bumper, 3 pieces	MSRP \$445.00 set
1705C		1963	Rear Bumper, 3 pieces	MSRP \$445.00 set
1705GC	New	1963	Rear Bumper Guards, pr, Chrome	<i>Coming Soon!</i>

## 1964



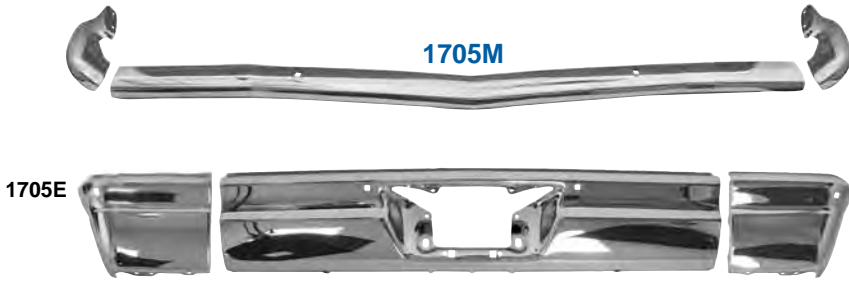
1705A		1964	Front Bumper, 3 pieces	MSRP \$445.00 set
1705N	New	1964	Front Bumper Guards, pr	<i>Coming Soon!</i>
1705		1964	Rear Bumper, 3 pieces	MSRP \$445.00 set
1705GD	New	1964	Rear Bumper Guards, pr, Chrome	<i>Coming Soon!</i>



# IMPALA™

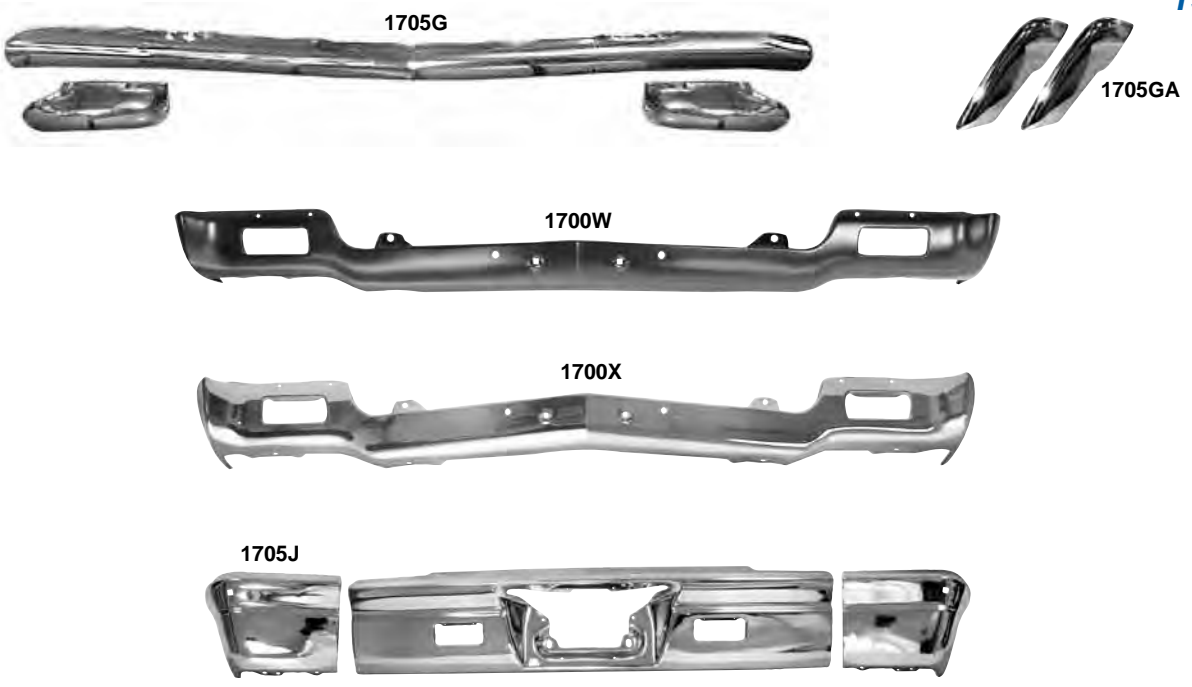



1965



1705M	New	1965	Front Bumper, 3 pieces	MSRP \$445.00 set
1705E		1965	Rear Bumper, 3 pieces	MSRP \$445.00 set

1966



1705G		1966	Front Bumper, 3 pieces	MSRP \$445.00 set
1705GA		1966	Front Bumper Guards	MSRP \$77.00 pr
1700W		1966	Front Lower Bumper, Painted	MSRP \$274.00 ea
1700X		1966	Front Lower Bumper, Chrome 	MSRP \$377.00 ea
1705J		1966	Rear Bumper, 3 pieces	MSRP \$445.00 set

1968



1705P	New	1968	Front Bumper Guards, pr	Coming Soon!
1705R	New	1968	Rear Bumper Guards, pr (Excludes wagon) Also fits Caprice	Coming Soon!

## Bumper Ctr.



(1700R detail)

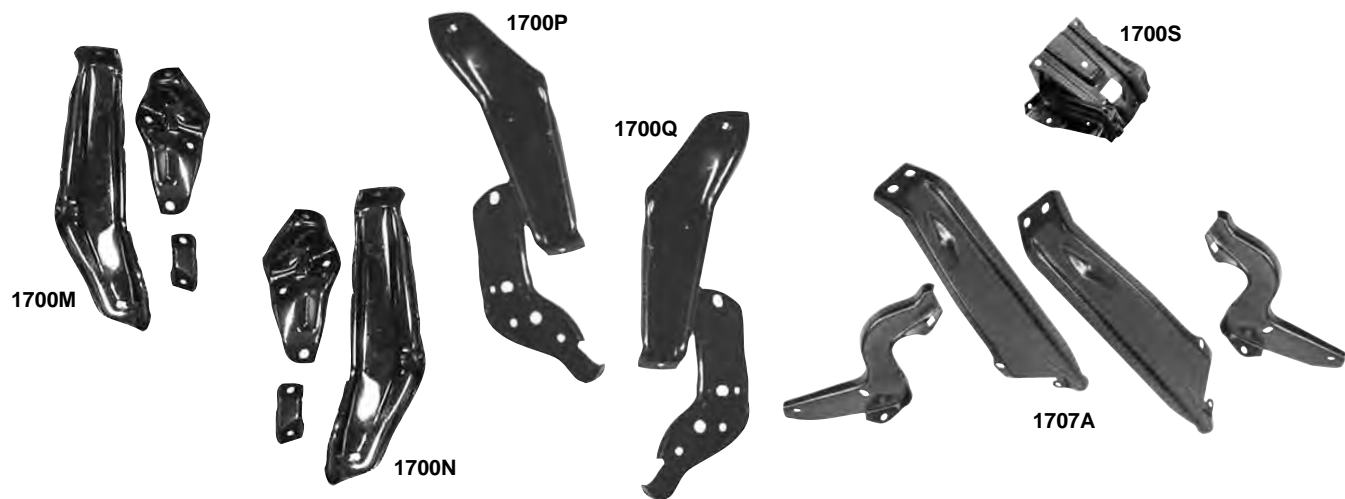


1705H	New	1962-63	Front Bumper Center Reinforcement Bar	<i>Coming Soon!</i>
1700R		1964	Front Bumper Center Reinforcement Bar	<b>MSRP \$64.00 ea</b>

## Bumper Brackets



1700K		1962-64	Front Bumper Bracket, RH	<b>MSRP \$24.00 ea</b>
1700L		1962-64	Front Bumper Bracket, LH	<b>MSRP \$24.00 ea</b>
1700T		1963	Front Bumper Brackets, 5 pieces	<b>MSRP \$165.00 set</b>
1700U		1963	Rear Bumper Brackets, 4 pieces	<b>MSRP \$154.00 set</b>



1700S		1964	Front Bumper Center Brace	<b>MSRP \$55.00 ea</b>
1700M		1964	Front Bumper Brackets, RH 3 pieces	<b>MSRP \$60.00 set</b>
1700N		1964	Front Bumper Brackets, LH 3 pieces	<b>MSRP \$60.00 set</b>
1700P		1964	Rear Bumper Brackets, RH 2 pieces	<b>MSRP \$60.00 set</b>
1700Q		1964	Rear Bumper Brackets, LH 2 pieces	<b>MSRP \$60.00 set</b>
1707A		1966	Front Bumper Arms, 4 pieces	<b>MSRP \$135.00 set</b>

Muscle Car Parts & Molding • Muscle Car Parts & Molding • Muscle Car Parts & Molding

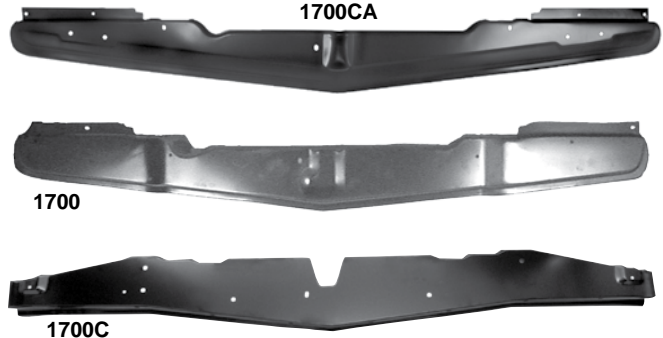




Muscle Car Parts & Molding • Muscle Car Parts & Molding • Muscle Car Parts & Molding

Header Panel

Radiator Supports

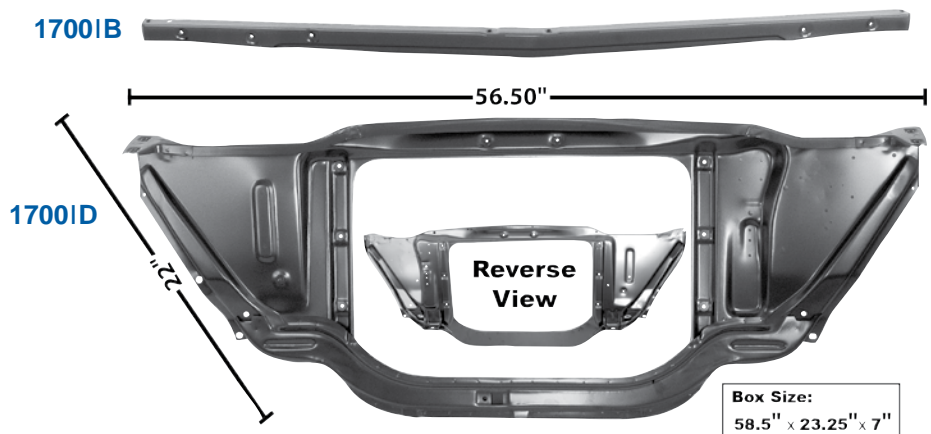


Bumper Fillers



1700CA	1962	Front Bumper Filler	<b>MSRP \$99.00 ea</b>
1700	1963	Front Bumper Filler	<b>MSRP \$99.00 ea</b>
1700C	1964	Front Bumper Filler	<b>MSRP \$119.00 ea</b>

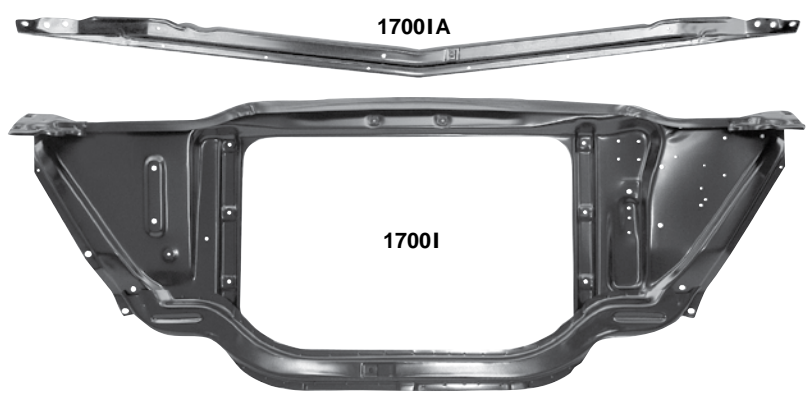
1739	1966	Header Panel	<b>MSRP \$164.00 ea</b>
------	------	--------------	-------------------------



1962

**Box Size:**  
58.5" x 23.25" x 7"  
**Weight:**  
16.3 lbs.

1700ID	New	1962	Radiator Support	<b>MSRP \$239.00 ea</b>
1700IB	New	1962	Upper Radiator Support	<b>MSRP \$97.00 ea</b>

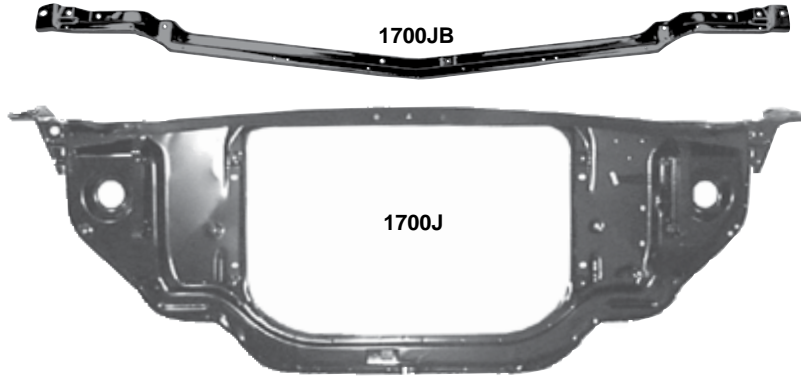


1963

1700I		1963	Radiator Support	<b>MSRP \$205.00 ea</b>
1700IA		1963	Upper Radiator Support	<b>MSRP \$50.00 ea</b>

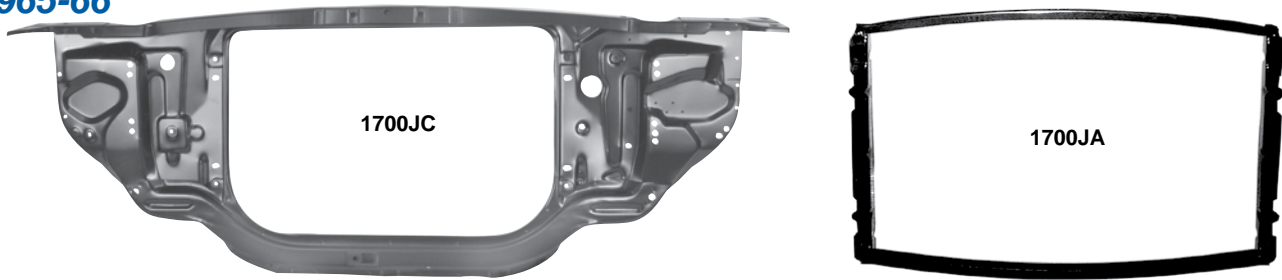
## Radiator Supports

1964



1700J	1964	Radiator Support	MSRP \$205.00 ea
1700JB	1964	Upper Radiator Support, Black	MSRP \$50.00 ea

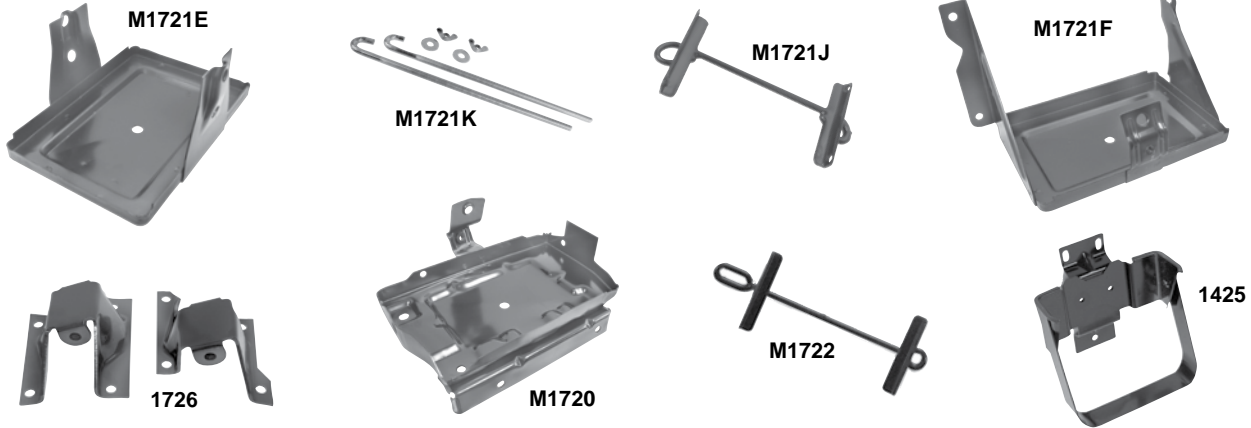
1965-66



1700JC	1965	Radiator Support	MSRP \$255.00 ea
1700JA	1965-66	Radiator Support Frame, Black, For Small Block	MSRP \$60.00 ea

## Engine Compartment

1958-62



M1721E	1958	Battery Tray	MSRP \$34.00 ea
M1721J	1957-58	Battery Tray Clamp	MSRP \$10.00 ea
M1721K	1958	Battery Clamp Bolts	MSRP \$7.00 pr
M1721F	1959-61	Battery Tray	MSRP \$32.00 ea
1726	1958-64	Engine Mounts for V8	MSRP \$50.00 pr
M1720	1962-63	Battery Tray	MSRP \$19.00 ea
M1722	1962-63	Battery Tray Clamp	MSRP \$10.00 ea
1425	1962-70	Windshield Washer Bottle Bracket	MSRP \$15.00 ea

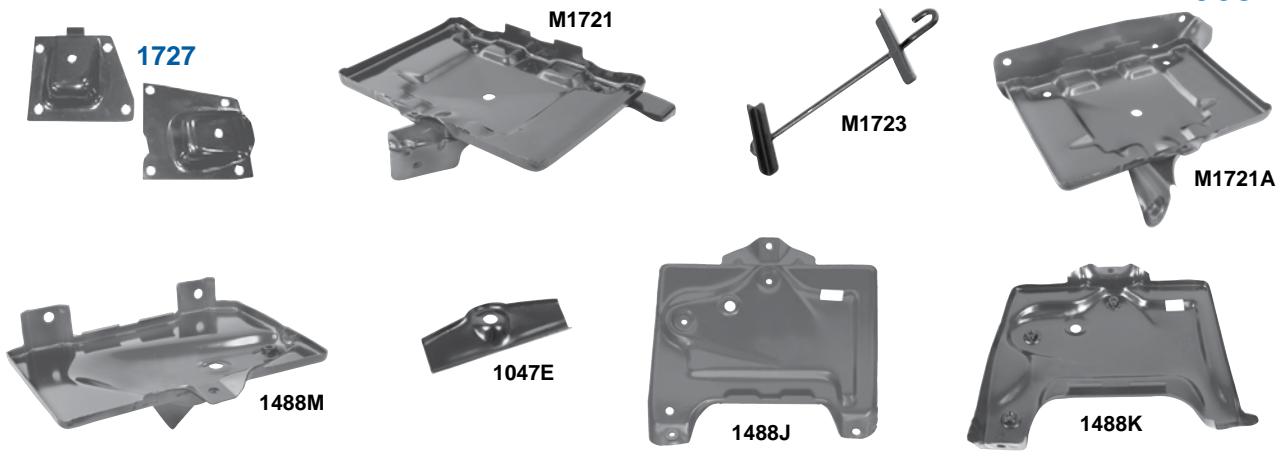
Muscle Car Parts & Molding • Muscle Car Parts & Molding • Muscle Car Parts & Molding



Muscle Car Parts & Molding • Muscle Car Parts & Molding • Muscle Car Parts & Molding • Muscle Car Parts & Molding

Engine Compartment

1963-70



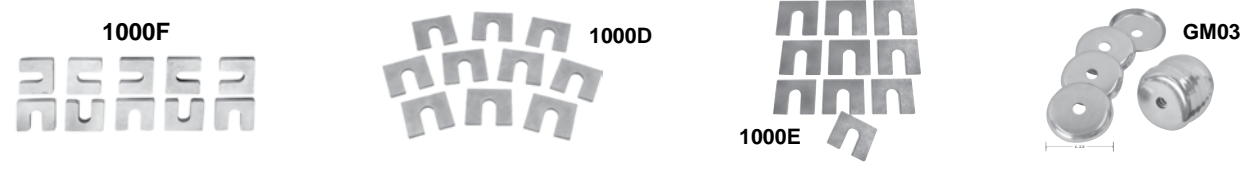
1727	New	1963-64	Engine Mounts for 6 Cylinder	<b>MSRP \$32.00 pr</b>
M1721		1964	Battery Tray	<b>MSRP \$19.00 ea</b>
M1723		1964	Battery Tray Clamp	<b>MSRP \$10.00 ea</b>
M1721A		1965	Battery Tray	<b>MSRP \$24.00 ea</b>
1488M		1966	Battery Tray	<b>MSRP \$24.00 ea</b>
1047E		1966-76	Battery Tray Clamp	<b>MSRP \$5.00 ea</b>
1488J		1967	Battery Tray	<b>MSRP \$17.00 ea</b>
1488K		1968-70	Battery Tray	<b>MSRP \$15.00 ea</b>

Suspension



1007		1958-70	Control Arm Bumper	<b>MSRP \$5.00 ea</b>
M1726L		1959-64	Trailing Arm Bushings, Upper Front & Rear / Lower Rear	<b>MSRP \$14.00 ea</b>
M1726N		1965-70	Trailing Arm Bushings, Lower Front (With Large Diameter Bushings)	<b>MSRP \$14.00 ea</b>
M1726M		1959-64	Trailing Arm Bushings, Lower Front	<b>MSRP \$14.00 ea</b>

Body Shims



1000F		1964-72	Body Shims, 6 mm, 10 pc. set	<b>MSRP \$12.00 set</b>
1000D		1964-72	Body Shims, 3 mm, 10 pc. set	<b>MSRP \$7.00 set</b>
1000E		1966	Body Shims, 1.6 mm, 10 pc. set	<b>MSRP \$7.00 set</b>
GM03			Body Washers, 20 pc. set	<b>MSRP \$19.00 set</b>



1702Y



1702R

Reverse View



1702S

Reverse View



1703



1703A



1704B

1702Y	New	1962	Front Fender, RH		MSRP \$514.00 ea
1702Z	New	1962	Front Fender, LH		MSRP \$514.00 ea
1702R	New	1962	Fender Brace Skirt, RH		MSRP \$77.00 ea
1702S	New	1962	Fender Brace Skirt, LH		MSRP \$77.00 ea
1703		1963	Front Fender, RH		MSRP \$427.00 ea
1704		1963	Front Fender, LH		MSRP \$427.00 ea
1703A		1964	Front Fender, RH		MSRP \$445.00 ea
1704A		1964	Front Fender, LH		MSRP \$445.00 ea
1704B		1964	Fender To Valance Bracket		MSRP \$9.00 ea
1704D	New	1966	Front Fender, RH		Coming Soon!
1704E	New	1966	Front Fender, LH		Coming Soon!



# IMPALA™



1962-64

Inner Fenders



1719Y



1720

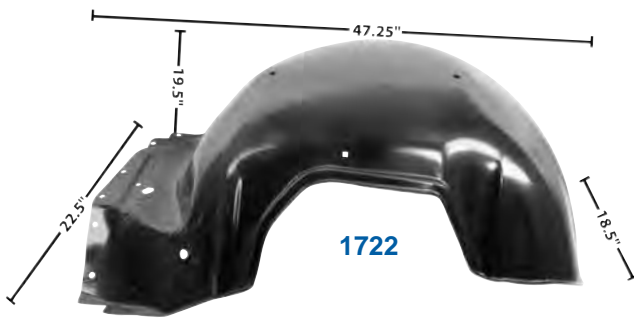


1700D

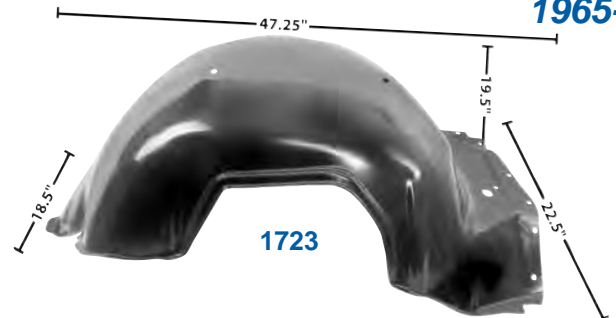


1719Y	New	1962	Inner Fender, RH	MSRP \$187.00 ea
1719Z	New	1962	Inner Fender, LH	MSRP \$187.00 ea
1720		1963	Inner Fender, RH	MSRP \$187.00 ea
1721		1963	Inner Fender, LH	MSRP \$187.00 ea
1700D		1964	Front Fender, RH	MSRP \$170.00 ea
1700E		1964	Front Fender, LH	MSRP \$170.00 ea

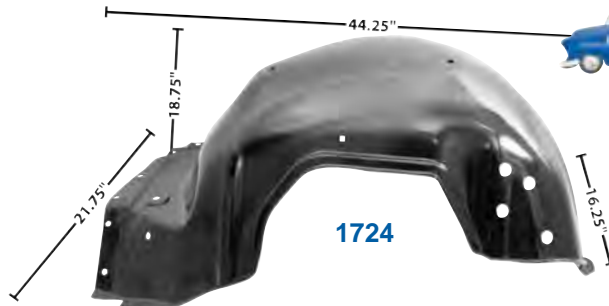
1965-66



1722



1723



1724



1725

1722	New	1965	Inner Fender, RH	MSRP \$187.00 ea
1723	New	1965	Inner Fender, LH	MSRP \$187.00 ea
1724	New	1966	Inner Fender, RH	MSRP \$187.00 ea
1725	New	1966	Inner Fender, LH	MSRP \$187.00 ea

Muscle Car Parts & Molding • Muscle Car Parts & Molding • Muscle Car Parts & Molding

## 1962-63



1701



1701B



1701A

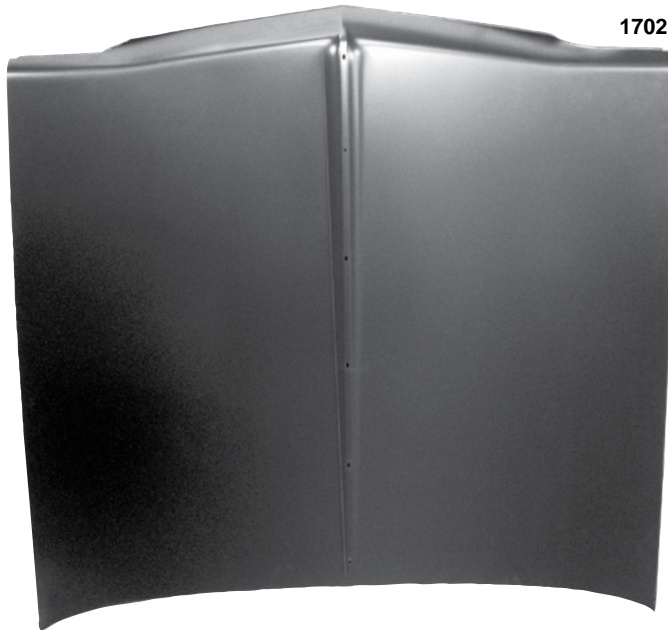


1702E



1701X	New	1962	Hood Catch	<i>Coming Soon!</i>
1701		1963	Hood	<b>MSRP \$475.00 ea</b>
1701A		1963-64	Hood Hinge RH	<b>MSRP \$50.00 ea</b>
1701B		1963-64	Hood Hinge LH	<b>MSRP \$50.00 ea</b>
1702E		1963	Hood Latch Assembly	<b>MSRP \$59.00 ea</b>

## 1964



1702



1701B



1702F

1701A



1702		1964	Hood	<b>MSRP \$475.00 ea</b>
1702A		1964	Hood without Spear Holes	<i>Coming Soon!</i>
1701A		1963-64	Hood Hinge RH	<b>MSRP \$50.00 ea</b>
1701B		1963-64	Hood Hinge LH	<b>MSRP \$50.00 ea</b>
1702F		1964	Hood Latch Assembly	<b>MSRP \$59.00 ea</b>



1965-70

Hoods & Components



1706



1068G



1068H



1702K



1702L

1706	1965-66	Hood	<b>MSRP \$495.00 ea</b>
1068G	1965-67	Hood Hinge RH	<b>MSRP \$52.00 ea</b>
1068H	1965-67	Hood Hinge LH	<b>MSRP \$52.00 ea</b>
1702K	1965	Hood Latch Support	<b>MSRP \$42.00 ea</b>
1702L	1966	Hood Latch Support	<b>MSRP \$42.00 ea</b>



1464Y



1464Z



1466



1467

1464Y	1968	Hood Hinge RH	<b>MSRP \$50.00 ea</b>
1464Z	1968	Hood Hinge LH	<b>MSRP \$50.00 ea</b>
1466	1970	Hood Hinge RH	<b>MSRP \$52.00 ea</b>
1467	1970	Hood Hinge LH	<b>MSRP \$52.00 ea</b>



1784



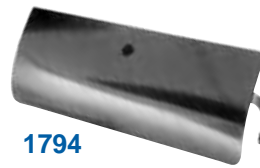
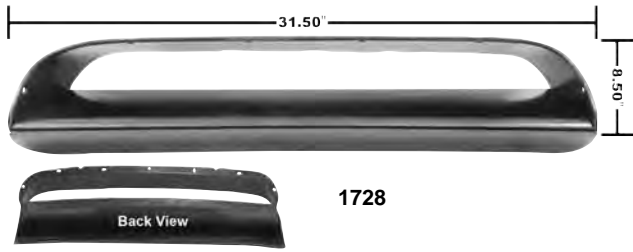
1785

1784	1962-64	Outer Cowl Panel, RH	<b>MSRP \$59.00 ea</b>
1785	1962-64	Outer Cowl Panel, LH	<b>MSRP \$59.00 ea</b>

Outer Cowl Panels

Muscle Car Parts & Molding • Muscle Car Parts & Molding • Muscle Car Parts & Molding

## Dash Components



1728		1963-64	Steel Dash Panel	MSRP \$199.00 ea
1794	New	1963-64	Glovebox Door	MSRP \$135.00 ea
1794A	New	1963-64	Glovebox Door Hinge	Coming Soon!
3856472		1965-68	A/C Vent Ball (1967 w/ A/C and all 1968 Astro-Vent)	MSRP \$25.00 ea

## Floor Pans & Components

1961-64



1700GX		1961-64	Complete Floor Pan	MSRP \$1150.00 ea
1047F		1961-81	Floor Pan Plug	MSRP \$5.00 ea
1700F		1961-64	Full Floor Pan RH	MSRP \$135.00 ea
1700G		1961-64	Full Floor Pan LH	MSRP \$135.00 ea

Muscle Car Parts & Molding • Muscle Car Parts & Molding • Muscle Car Parts & Molding





1961-64

Floor Pans & Components

1780



1766A



1766F



1766G



1766B



1766C



1766D



1766E



1766A	1961-64	Front Floor Pan Brace	MSRP \$95.00 ea
1766F	1961-64	Rear Floor Pan Brace	MSRP \$95.00 ea
1780	1961-64	Rear Seat Floor Pan	MSRP \$100.00 ea
1766G	1961-64	Crossmember Transmission Support	MSRP \$75.00 ea
1766B	1961-64	Floor Pan Brace Under Front Seat, RH	MSRP \$79.00 ea
1766C	1961-64	Floor Pan Brace Under Front Seat, LH	MSRP \$79.00 ea
1766D	1961-64	Floor Pan Brace Under Rear Seat, RH	MSRP \$65.00 ea
1766E	1961-64	Floor Pan Brace Under Rear Seat, LH	MSRP \$65.00 ea

1965-70

1783



1047F

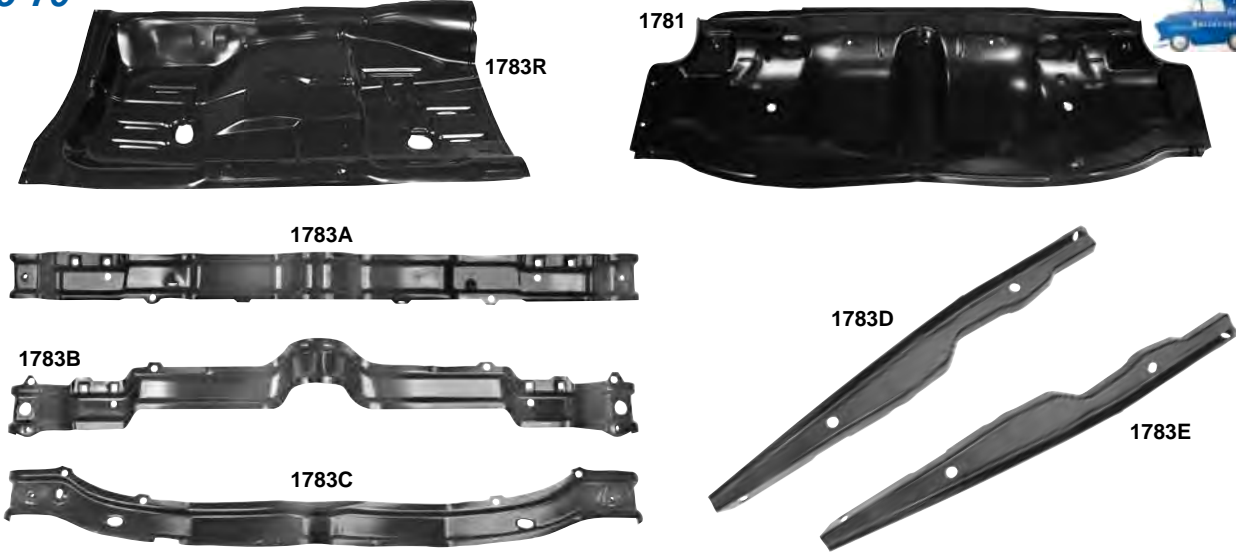
1783	1965-70	Complete Floor Pan w/braces, rocker panels and rear seat pan	MSRP \$1350.00 ea
1047F	1961-81	Floor Pan Plug	MSRP \$5.00 ea

1965-70 Floor Pans & Components continued on pg. 112...

Muscle Car Parts & Molding • Muscle Car Parts & Molding • Muscle Car Parts & Molding

## Floor Pans & Components

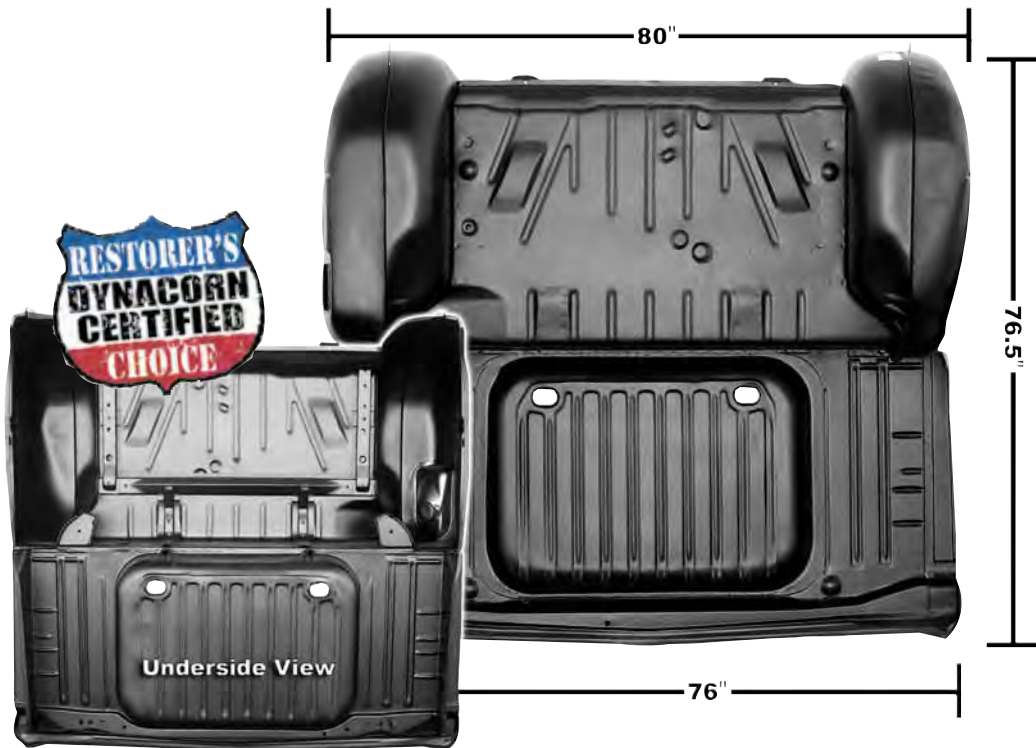
1965-70



1783R	1965-70	Floor Pan, RH	MSRP \$135.00 ea
1783L	1965-70	Floor Pan, LH	MSRP \$135.00 ea
1781	1965-70	Rear Seat Floor Pan	MSRP \$100.00 ea
1783A	1965-70	Front Floor Pan Under Support	MSRP \$107.00 ea
1783B	1965-70	Center Floor Pan Under Support	MSRP \$107.00 ea
1783C	1965-70	Rear Floor Pan Under Support	MSRP \$107.00 ea
1783D	1965-70	Floor Side Under Support, RH	MSRP \$67.00 ea
1783E	1965-70	Floor Side Under Support, LH	MSRP \$67.00 ea

## Trunk Floor Pans & Components

1961-64



1700HD	1963	Trunk Floor Pan w/ Shelf Panel and Wheelhouses	MSRP \$2150.00 ea
--------	------	--	-------------------



1961-64

Trunk Floor Pans & Components

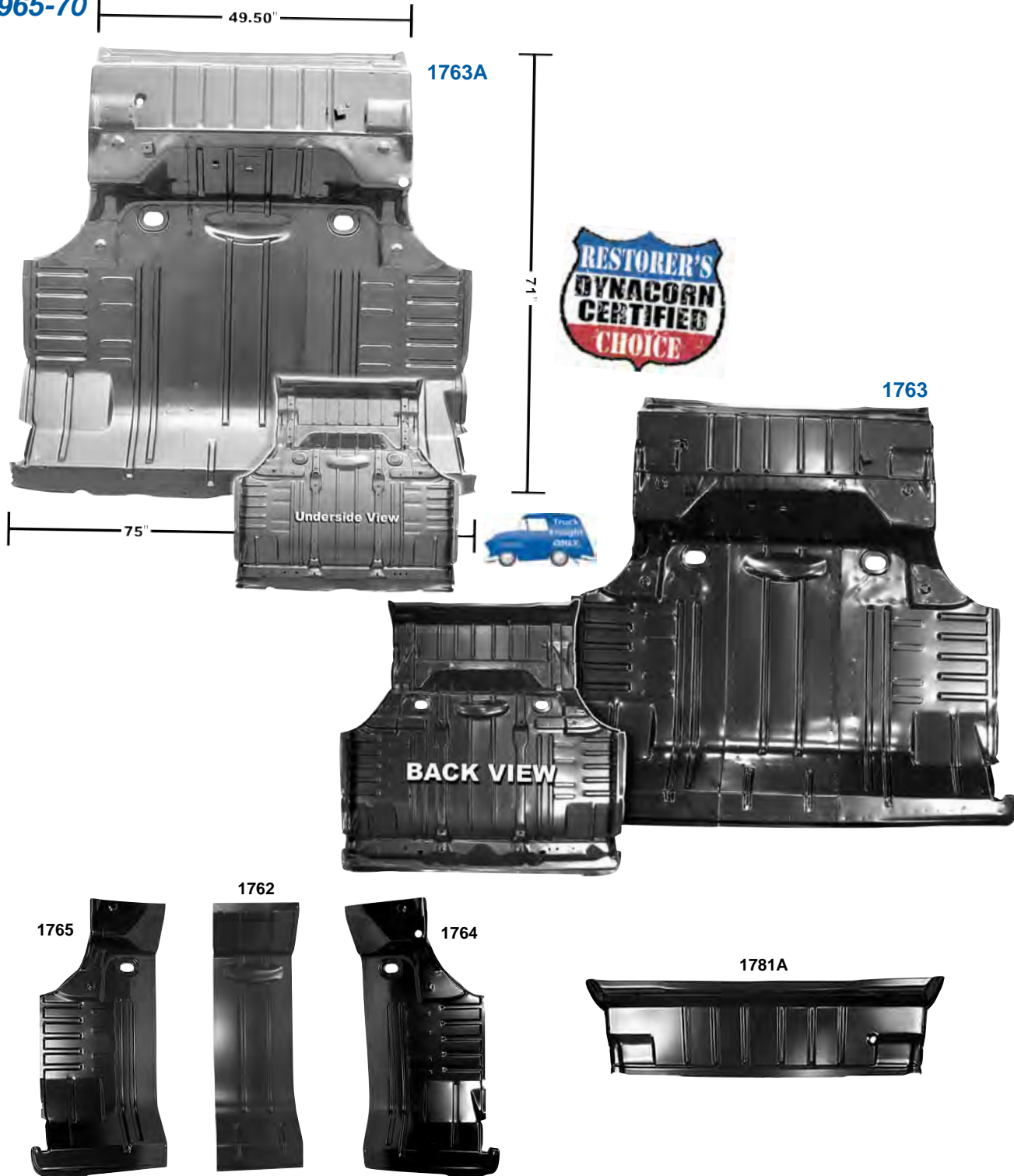
Muscle Car Parts & Molding • Muscle Car Parts & Molding • Muscle Car Parts & Molding



1700HB	1963	Trunk Floor w/Pan & Drop Offs	MSRP \$515.00 ea
1700HC	New 1964	Trunk Floor w/Pan & Drop Offs	MSRP \$515.00 ea
1781B	1961-64	Trunk Shelf Panel	MSRP \$515.00 ea
1700H	1961-64	Trunk Lower Pan 2/4 door	MSRP \$119.00 ea
1700HA	1963-64	Trunk Floor Outer Panel	MSRP \$100.00 ea
1769	1961-64	Trunk Cross Rail Panel (Excludes Wagon)	MSRP \$77.00 ea
1736R	1963	Trunk Floor Drop Off, RH	MSRP \$59.00 ea
1736L	1963	Trunk Floor Drop Off, LH	MSRP \$59.00 ea
1735R	1964	Trunk Floor Drop Off, RH	MSRP \$59.00 ea
1735L	1964	Trunk Floor Drop Off, LH	MSRP \$59.00 ea

Trunk Floor Pans & Components continued on pg. 114...

1965-70



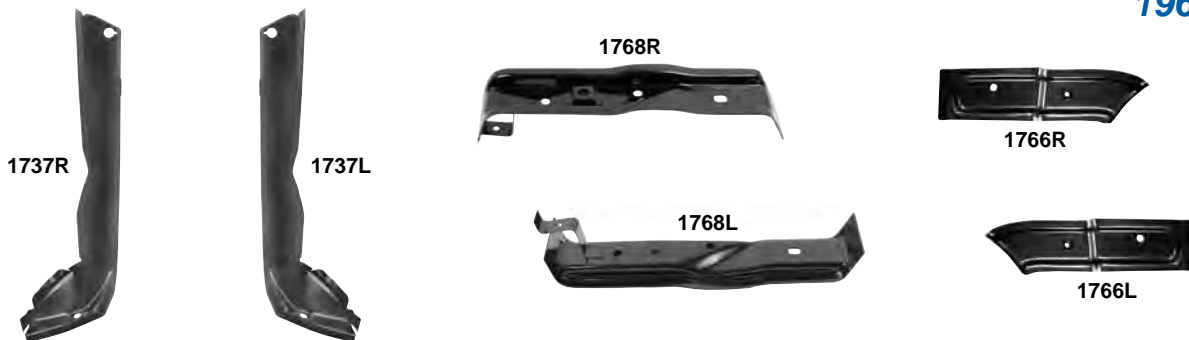
1763A	1965	Trunk Floor/divider panel with tank mounts, braces & drop offs	MSRP \$1370.00 ea
1763	1966	Trunk Floor/divider panel with tank mounts, braces & drop offs	MSRP \$1370.00 ea
1764	1965-70	Trunk Floor Pan, RH	MSRP \$75.00 ea
1762	1965-70	Trunk Floor Pan, Center	MSRP \$62.00 ea
1765	1965-70	Trunk Floor Pan, LH	MSRP \$75.00 ea
1781A	1965-70	Trunk Divider Panel	MSRP \$85.00 ea





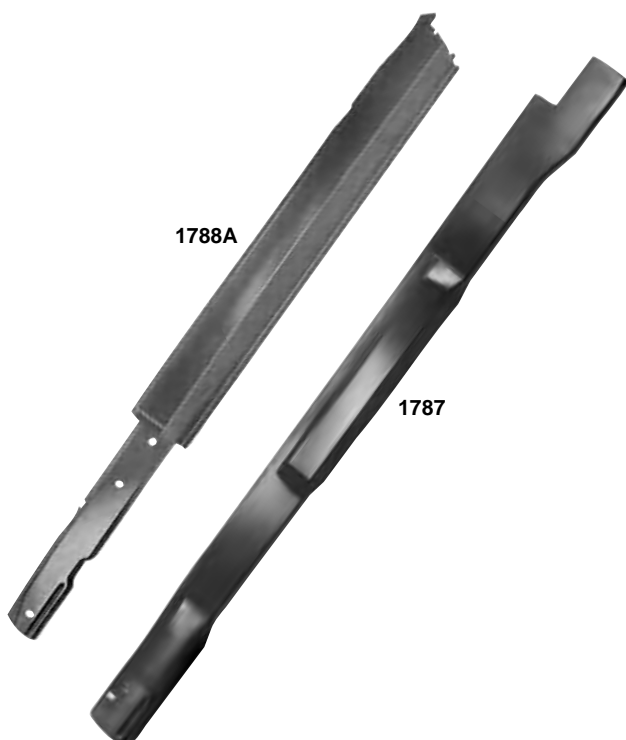
1965-70

Trunk Floor Pans & Components



1737R	1965-70	Trunk Floor Drop Off, RH	MSRP \$62.00 ea
1737L	1965-70	Trunk Floor Drop Off, LH	MSRP \$62.00 ea
1768R	1965-70	Trunk Floor Under Brace, RH	MSRP \$45.00 ea
1768L	1965-70	Trunk Floor Under Brace, LH	MSRP \$45.00 ea
1766R	1965-70	Trunk Floor Side Brace, RH	MSRP \$42.00 ea
1766L	1965-70	Trunk Floor Side Brace, LH	MSRP \$42.00 ea

Muscle Car Parts & Molding • Muscle Car Parts & Molding • Muscle Car Parts & Molding



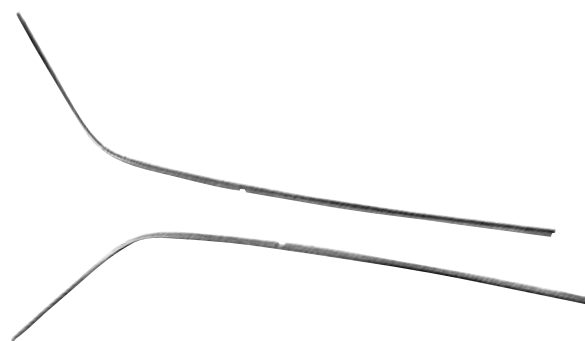
Rocker Panels

1788	New	1963	Rocker Panel, RH
1789	New	1963	Rocker Panel, LH
<b>Coming Soon!</b>			
1788A		1964	Rocker Panel, RH
1789A		1964	Rocker Panel, LH

**MSRP \$204.00 ea**

1786		1965-67	Rocker Panel, Inner RH
1787		1965-67	Rocker Panel, Inner LH

**MSRP \$75.00 ea**



1795 1962-64 Roof Drip Rails  
**MSRP \$154.00 pr**

Roof Drip Rails



1733A

1733A	New	1963-64	Quarter "B" Pillar Panel, RH
1733B	New	1963-64	Quarter "B" Pillar Panel, LH

**MSRP \$154.00 ea**

Quarter "B" Pillar Panels

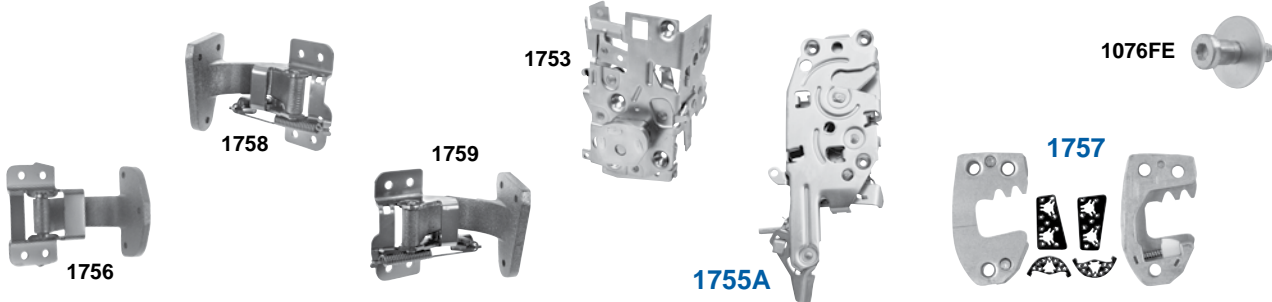
1961-66



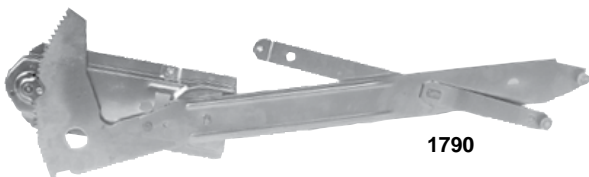
1750



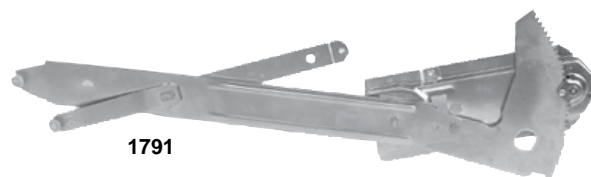
1751A



1750	1963	Door Shell, RH		MSRP \$565.00 ea
1751	1963	Door Shell, LH		MSRP \$565.00 ea
1751A	1964	Door Shell, RH		MSRP \$565.00 ea
1751B	1964	Door Shell, LH		MSRP \$565.00 ea
1756	1962-64	Upper Door Hinge, RH or LH		MSRP \$100.00 ea
1758	1962-64	Lower Door Hinge, RH		MSRP \$119.00 ea
1759	1962-64	Lower Door Hinge, LH		MSRP \$119.00 ea
1752	1963	Door Latch, RH		MSRP \$99.00 ea
1753	1963	Door Latch, LH		MSRP \$99.00 ea
1754	New	1964	Door Latch, RH	MSRP \$99.00 ea
1755	New	1964	Door Latch, LH	MSRP \$99.00 ea
1757	New	1963-64	Door Catch Assembly	MSRP \$107.00 pr
1755A	New	1965-66	Door Latch, RH	MSRP \$85.00 ea
1755B	New	1965-66	Door Latch, LH	MSRP \$85.00 ea
1076FE	1964-70	Door Lock Striker		MSRP \$17.00 ea

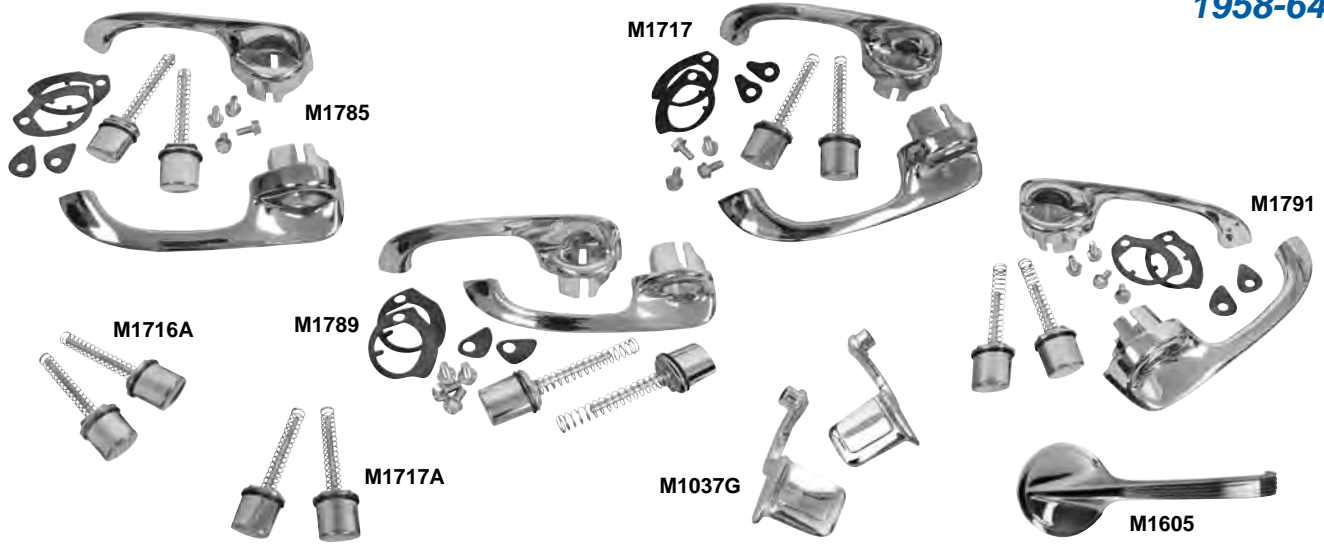


1790

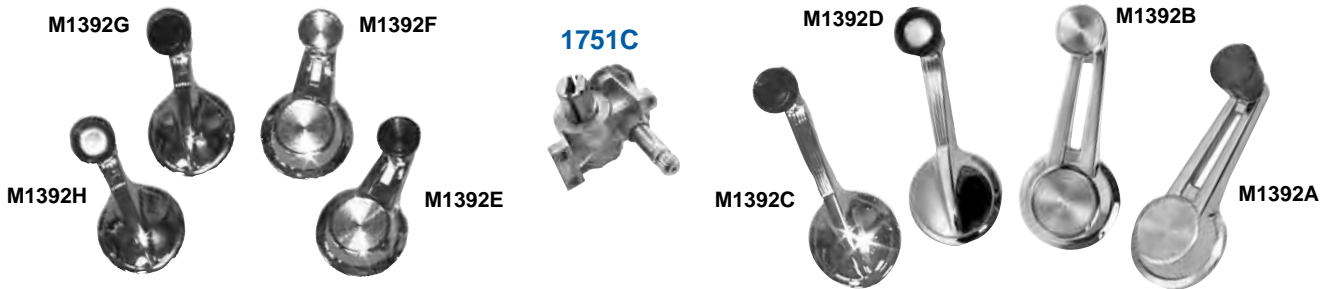


1791

1790	1961-64	Window Regulator, RH		MSRP \$89.00 ea
1791	1961-64	Window Regulator, LH		MSRP \$89.00 ea

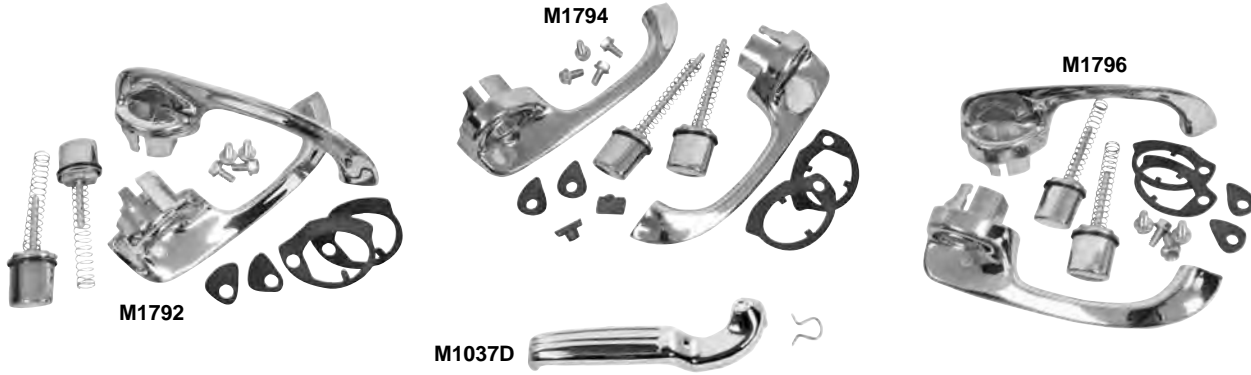


M1605	1958-64	Interior Door Handle, Single Arm	MSRP \$15.00 ea
M1037G	1959-67	Interior Door Handles	MSRP \$32.00 pr
M1785	1960	Exterior Door Handles, For 2 door	MSRP \$55.00 pr
M1786	1960	Exterior Front Door Handles, For 4 door	MSRP \$55.00 pr
M1787	1960	Exterior Rear Door Handles, For 4 door	MSRP \$55.00 pr
M1716	1961-62	Exterior Front Door Handles, For 2/4 door	MSRP \$55.00 pr
M1789	1961-62	Exterior Rear Door Handles, For 4 door	MSRP \$55.00 pr
M1716A	1961-62	Door Handle Push Button Kit	MSRP \$10.00 pr
M1717	1963-64	Exterior Front Door Handles, For 2/4 door	MSRP \$55.00 pr
M1791	1963-64	Exterior Rear Door Handles, For 4 door	MSRP \$55.00 pr
M1717A	1963-64	Door Handle Push Button Kit	MSRP \$10.00 pr

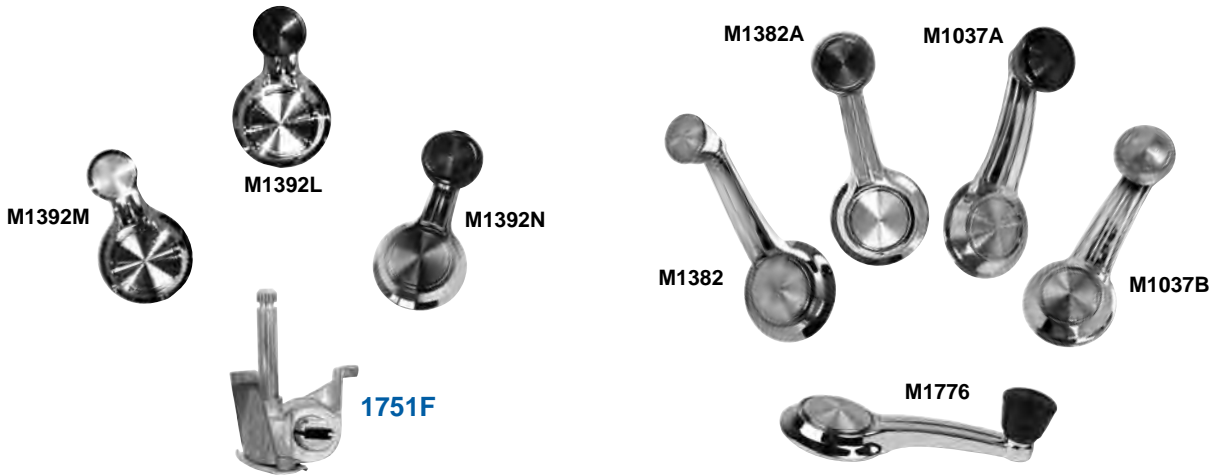


M1392H	1958-64	Single Arm Vent Window Crank, Chrome Knob	MSRP \$14.00 ea
M1392G	1958-60	Single Arm Vent Window Crank, Black Knob	MSRP \$14.00 ea
M1392F	1959-64	Double Arm Vent Window Crank, Chrome Knob	MSRP \$14.00 ea
M1392E	1961-64	Double Arm Vent Window Crank, Black Knob	MSRP \$14.00 ea
1751C	New 1962-64	Vent Window Actuator, RH	MSRP \$84.00 ea
1751D	New 1962-64	Vent Window Actuator, LH	MSRP \$84.00 ea
M1392C	1958-64	Single Arm Window Crank, Charcoal Knob	MSRP \$14.00 ea
M1392D	1958-64	Single Arm Window Crank, Chrome Knob	MSRP \$14.00 ea
M1392B	1961-64	Double Arm Window Crank, Chrome Knob	MSRP \$14.00 ea
M1392A	1961-64	Double Arm Window Crank, Black Knob	MSRP \$14.00 ea

## 1965-70



M1792	1965-68	Exterior Door Handles, For 2 door	<b>MSRP \$55.00 pr</b>
M1793	1965-68	Exterior Front Door Handles, For 4 door	<b>MSRP \$55.00 pr</b>
M1794	1965-68	Exterior Rear Door Handles, For 4 door	<b>MSRP \$55.00 pr</b>
M1037D	1968-70	Interior Standard Door Handle, RH	<b>MSRP \$20.00 ea</b>
M1037E	1968-70	Interior Standard Door Handle, LH	<b>MSRP \$20.00 ea</b>
M1795	1969-70	Exterior Door Handles, For 2 door	<b>MSRP \$55.00 pr</b>
M1796	1969-70	Exterior Front Door Handles, For 4 door	<b>MSRP \$55.00 pr</b>
M1797	1969-70	Exterior Rear Door Handles, For 4 door	<b>MSRP \$55.00 pr</b>

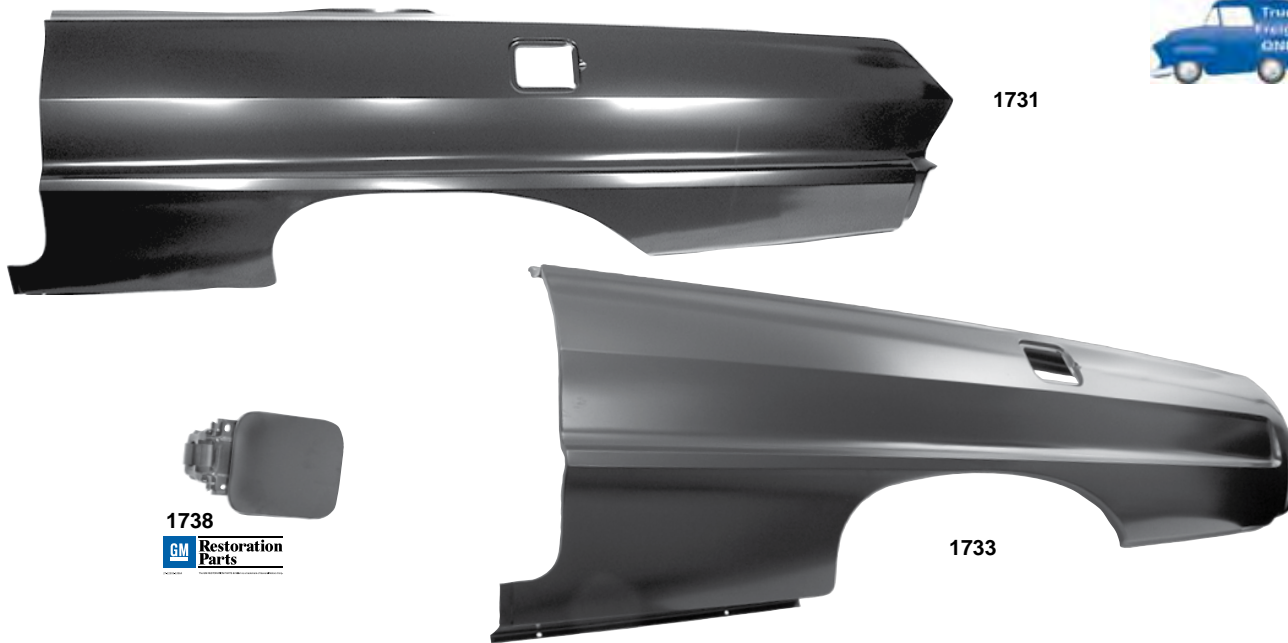


M1392M	1965-66	Vent Window Crank, Chrome Knob	<b>MSRP \$15.00 ea</b>
M1392L	1965-66	Vent Window Crank, Biscayne, Black Knob	<b>MSRP \$15.00 ea</b>
1751E	New 1965	Vent Window Actuator, RH	<b>MSRP \$85.00 ea</b>
1751F	New 1965	Vent Window Actuator, LH	<b>MSRP \$85.00 ea</b>
M1776	1965-66	Window Crank, Biscayne Black knob	<b>MSRP \$24.00 ea</b>
M1382	1965-66	Window Crank, Chrome Knob	<b>MSRP \$24.00 ea</b>
M1392N	1967	Vent Window Crank, Black Knob	<b>MSRP \$17.00 ea</b>
M1382A	1967	Window Crank, Black Knob	<b>MSRP \$24.00 ea</b>
M1037A	1968	Window Crank, Black Knob	<b>MSRP \$7.00 ea</b>
M1037B	1969-70	Window Crank, Clear Knob	<b>MSRP \$7.00 ea</b>





## Quarter Panels



1730	1963	Quarter Panel, RH	<b>MSRP \$515.00 ea</b>
1731	1963	Quarter Panel, LH	<b>MSRP \$515.00 ea</b>
1732	1964	Quarter Panel, RH	<b>MSRP \$515.00 ea</b>
1733	1964	Quarter Panel, LH	<b>MSRP \$515.00 ea</b>
1738	1964	Gas Filler Door	<b>MSRP \$57.00 ea</b>

## Wheelhouses & Components



1744	1963	Complete Wheelhouse (Inner/Outer), RH Coupe	<b>MSRP \$290.00 ea</b>
1745	1963	Complete Wheelhouse (Inner/Outer), LH Coupe	<b>MSRP \$290.00 ea</b>
1740	1964	Complete Wheelhouse (Inner/Outer), RH Coupe	<b>MSRP \$290.00 ea</b>
1741	1964	Complete Wheelhouse (Inner/Outer), LH Coupe	<b>MSRP \$290.00 ea</b>
1742	1961-64	Rear Wheelhouse Brace, RH	<b>MSRP \$45.00 ea</b>
1743	1961-64	Rear Wheelhouse Brace, LH	<b>MSRP \$45.00 ea</b>
1746	1963-64	Wheelhouse to Rocker Brace, RH	<b>MSRP \$20.00 ea</b>
1747	1963-64	Wheelhouse to Rocker Brace, LH	<b>MSRP \$20.00 ea</b>
1746A	1963-64	Wheelhouse to Quarter Brace, RH	<b>MSRP \$39.00 ea</b>
1746B	1963-64	Wheelhouse to Quarter Brace, LH	<b>MSRP \$39.00 ea</b>

*Wheelhouses & Components continued on pg. 120...*

## Wheelhouses

1965-70



1700A



1748

1700A	1965-66	Outer Wheelhouse, RH	<b>MSRP \$90.00 ea</b>
1700B	1965-66	Outer Wheelhouse, LH	<b>MSRP \$90.00 ea</b>
1748	1965-66	Complete Wheelhouse (Inner/Outer), RH	<b>MSRP \$275.00 ea</b>
1749	1965-66	Complete Wheelhouse (Inner/Outer), LH	<b>MSRP \$275.00 ea</b>

## Deck Lid Filler Panel

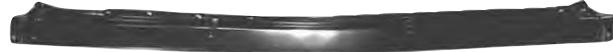


1771B 1964 Deck Lid Filler Panel  
**MSRP \$234.00 ea**

## Rear Body Panels



1760



1761



1760	1963	Rear Body Panel, 4 pcs.	<b>MSRP \$84.00 set</b>
1761	1964	Rear Body Panel, 4 pcs.	

## Trunk Lids & Components

1963



1770



1772



1769A



1769B

1770	1963	Trunk Lid, Impala	<b>MSRP \$525.00 ea</b>
1773	1963-64	Trunk Lid Hinges	<b>MSRP \$239.00 pr</b>
1772	1959-72	Trunk Lid Latch	<b>MSRP \$39.00 ea</b>
1769A	1962	Trunk Weatherstrip Channel	<b>MSRP \$205.00 pr</b>
1769B	1963-64	Trunk Weatherstrip Channel	<b>MSRP \$205.00 pr</b>

Muscle Car Parts & Molding • Muscle Car Parts & Molding • Muscle Car Parts & Molding



1771



1772



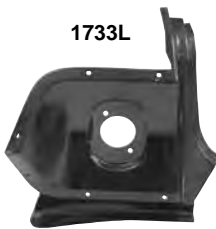
1771A



1769B

1771	1964	Trunk Lid, Impala (4 lamp holes)	<b>MSRP \$525.00 ea</b>
1771A	1964	Trunk Lid, Biscayne & Bel Air (2 lamp holes)	<b>MSRP \$525.00 ea</b>
1772	1959-72	Trunk Lid Latch	<b>MSRP \$39.00 ea</b>
1769B	1963-64	Trunk Weatherstrip Channel	<b>MSRP \$205.00 pr</b>

Muscle Car Parts & Molding • Muscle Car Parts & Molding • Muscle Car Parts & Molding



1733R



1733L

1733R	1963	Tail Light Mounting Panel, RH	<b>MSRP \$75.00 ea</b>
1733L	1963	Tail Light Mounting Panel, LH	



1734L



1734R

1734R	1964	Tail Light Mounting Panel, RH	<b>MSRP \$72.00 ea</b>
1734L	1964	Tail Light Mounting Panel, LH	

Tail Light Mounting Panels



1781Z



1782

1781Z	1965	Tail Panel Brace	<b>MSRP \$135.00 ea</b>
1782	1966-70	Tail Panel Brace	

Tail Panel Brace



1700Z	1965	License Plate Bracket	<b>MSRP \$57.00 ea</b>
-------	------	-----------------------	------------------------

Lic. Plate Brkt.

## Fuel Tanks



T29



T25



T29	1961-64	Galvanized Gas Tank	<b>MSRP \$154.00 ea</b>
T25	1965-67	Galvanized Gas Tank	<b>MSRP \$142.00 ea</b>

## Tank Bracing



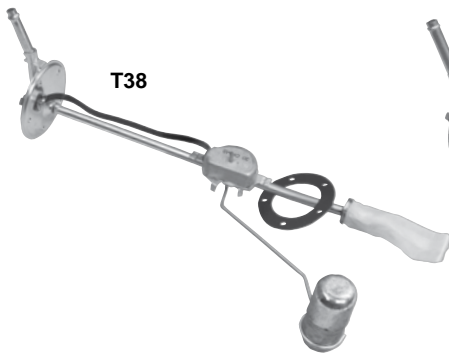
T25A



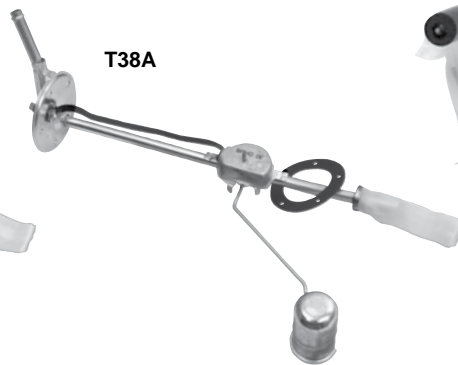
1767

T25A	1961-64	Gas Tank Straps w/o bolts, 2 piece	<b>MSRP \$22.00 ea</b>
T25B	1965-70	Gas Tank Straps w/o bolts, 2 piece	<b>MSRP \$22.00 ea</b>
1767	1965-70	Gas Tank Brace, Fits RH or LH	<b>MSRP \$64.00 ea</b>

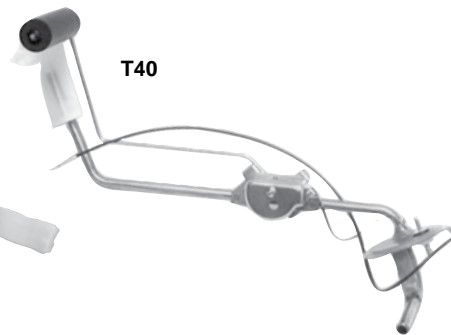
## Fuel Sending Units



T38



T38A



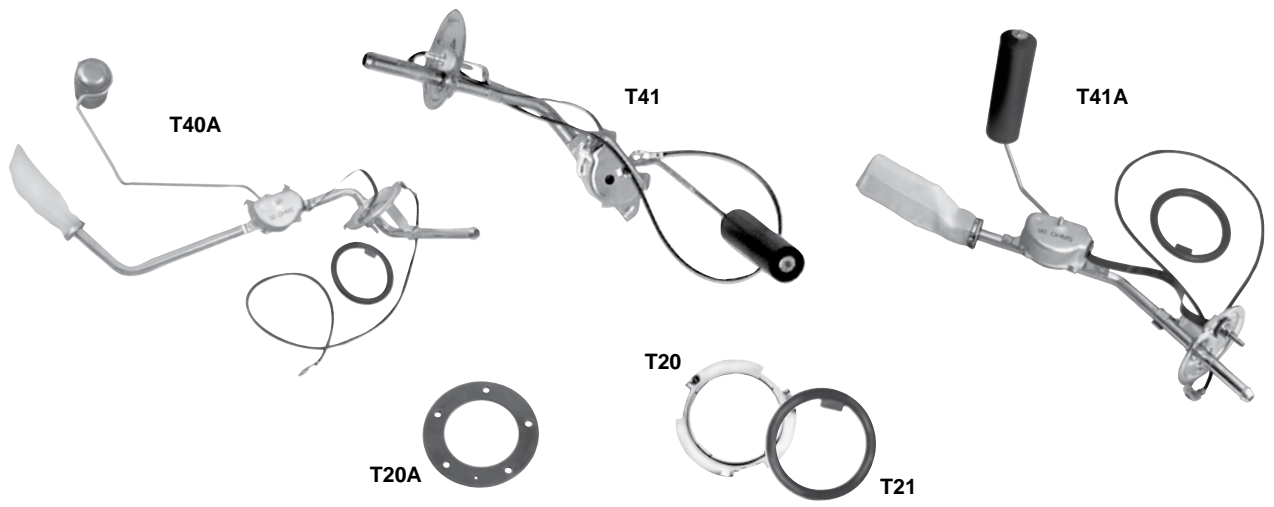
T40

T38	1958-60	Fuel Sending Unit, 5/16"	<b>MSRP \$44.00 ea</b>
T38A	1958-60	Fuel Sending Unit, 3/8"	<b>MSRP \$44.00 ea</b>
T40	1961-64	Fuel Sending Unit, 5/16"	<b>MSRP \$52.00 ea</b>

Muscle Car Parts & Molding • Muscle Car Parts & Molding • Muscle Car Parts & Molding

Muscle Car Parts & Molding • Muscle Car Parts & Molding • Muscle Car Parts & Molding

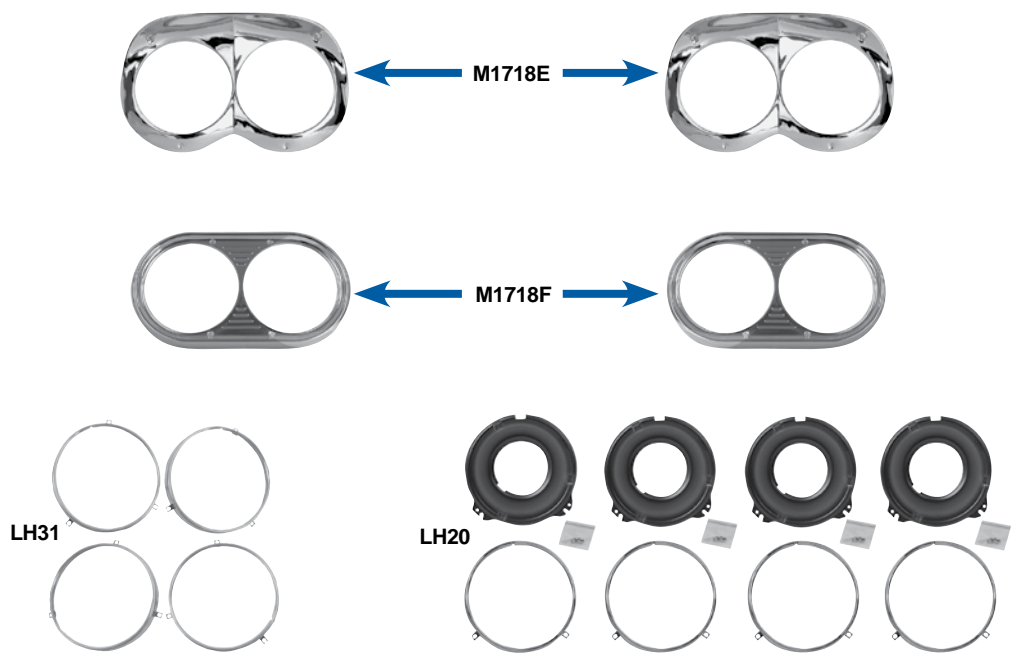
Fuel Sending Units



T40A	1961-64	Fuel Sending Unit, 3/8"	<b>MSRP \$45.00 ea</b>
T41	1965-70	Fuel Sending Unit, 3/8" (Small Flange)	<b>MSRP \$55.00 ea</b>
T41A	1965-67	Fuel Sending Unit, 5/16"	<b>MSRP \$45.00 ea</b>
T20	1961-81	Fuel Sending Unit Locking Ring	<b>MSRP \$4.00 ea</b>
T20A	1958-60	Fuel Sending Unit Gasket	<b>MSRP \$2.00 ea</b>
T21	1961-81	Fuel Sending Unit Gasket	<b>MSRP \$4.00 ea</b>

1958-59

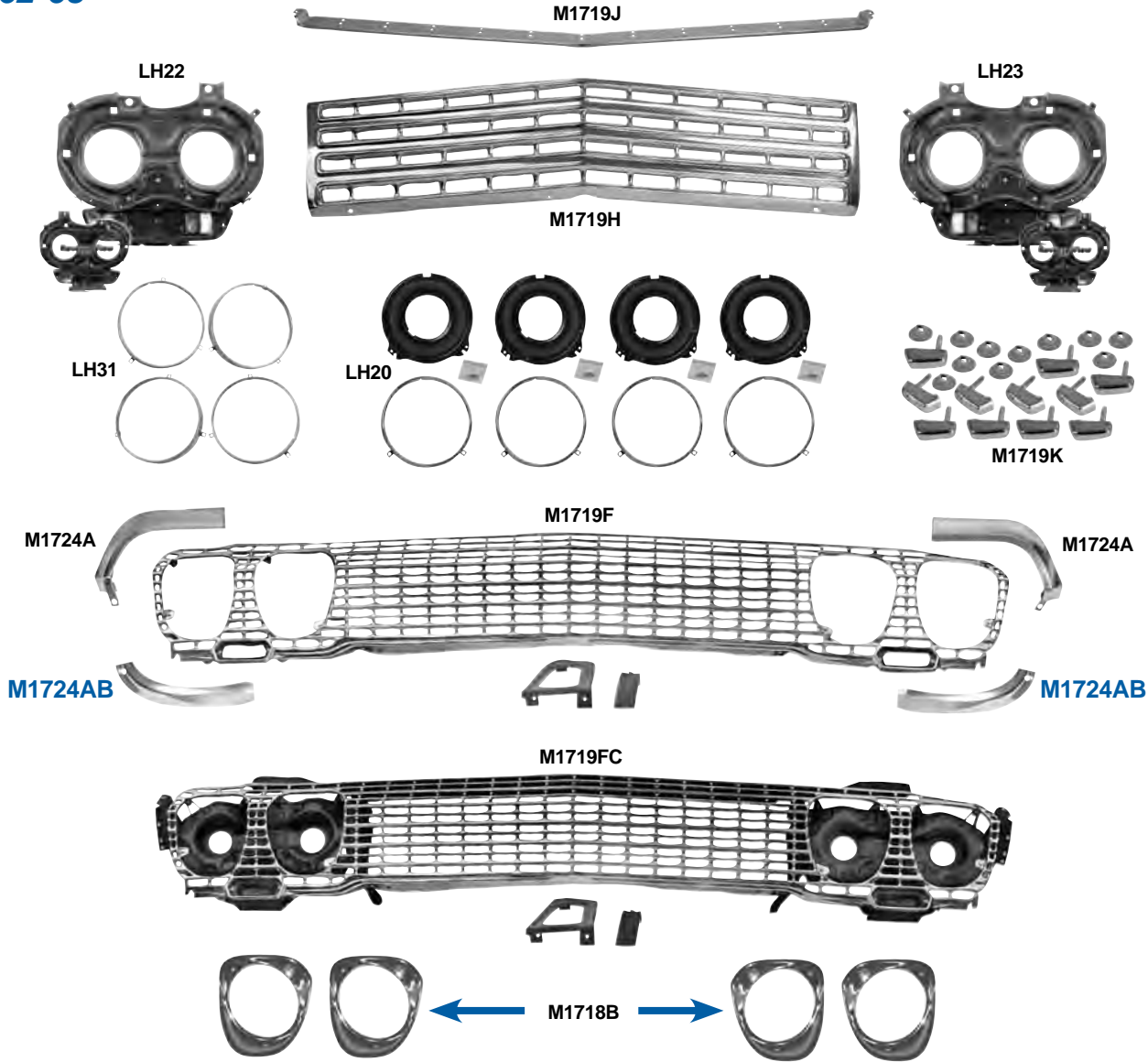
Grilles and Components



M1718E	1958	Headlamp Bezels	<b>MSRP \$120.00 pr</b>
M1718F	1959	Headlamp Bezels	<b>MSRP \$120.00 pr</b>
LH20	1958-66	Headlamp Mounting Bucket Set, 8 pcs.	<b>MSRP \$107.00 set</b>
LH31	1958-66	Headlamp Retaining Rings, 4 pcs.	<b>MSRP \$22.00 set</b>

Grilles & Components continued on pg. 124...

1962-63

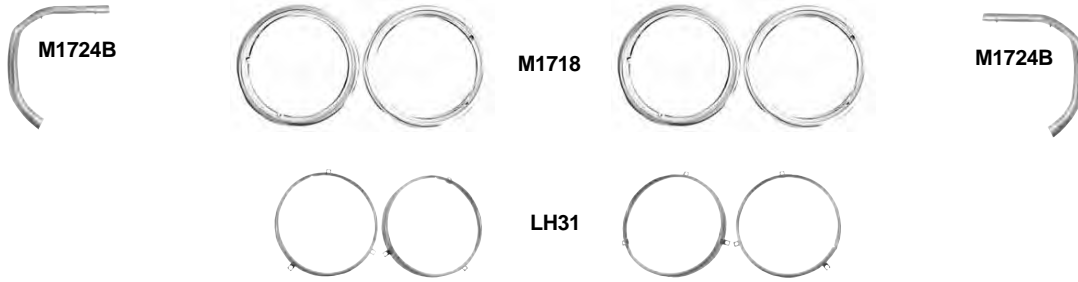
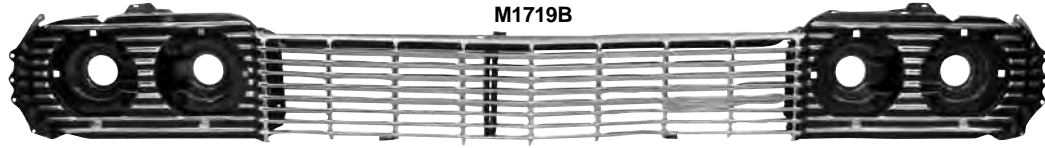


M1719H		1962	Grille	MSRP \$360.00 ea
M1719HC	New	1962	Complete Grille	Coming Soon!
M1719J		1962	Top Grille Molding	MSRP \$65.00 ea
M1719K		1962	Top Grille Molding Fasteners, 11 pcs.	MSRP \$30.00 kit
M1719M	New	1962	Headlamp Bezel, RH	Coming Soon!
M1719N	New	1962	Headlamp Bezel, LH	Coming Soon!
LH22		1962	Headlamp Bucket, RH	MSRP \$152.00 ea
LH23		1962	Headlamp Bucket, LH	MSRP \$152.00 ea
M1719F		1963	Grille	MSRP \$475.00 ea
M1719FC		1963	Complete Grille W/Brackets, Headlamp Housings	MSRP \$592.00 set
M1718B		1963	Headlamp Bezels, 4 pcs./set	MSRP \$135.00 set
M1724A		1963	Upper Eyebrow Moldings	MSRP \$62.00 pr
M1724AB	New	1963	Lower Eyebrow Moldings, pr	Coming Soon!
LH20		1958-66	Headlamp Mounting Bucket Set, 8 pcs.	MSRP \$107.00 set
LH3 1		1958-66	Headlamp Retaining Rings, 4 pcs.	MSRP \$22.00 set



1964

Grilles and Components



M1719B	1964	Grille W/Brackets & Headlamp Housings	<b>MSRP \$475.00 set</b>
M1724W	1964	Lower Grille Molding	<b>MSRP \$67.00 ea</b>
M1718	1964	Headlamp Bezels, 4 pcs./set	<b>MSRP \$67.00 set</b>
M1724B	1964	Eye Brow Moldings	<b>MSRP \$102.00 pr</b>
LH20	1958-66	Headlamp Mounting Bucket Set, 8 pcs.	<b>MSRP \$107.00 set</b>
LH31	1958-66	Headlamp Retaining Rings, 4 pcs.	<b>MSRP \$22.00 set</b>

1965

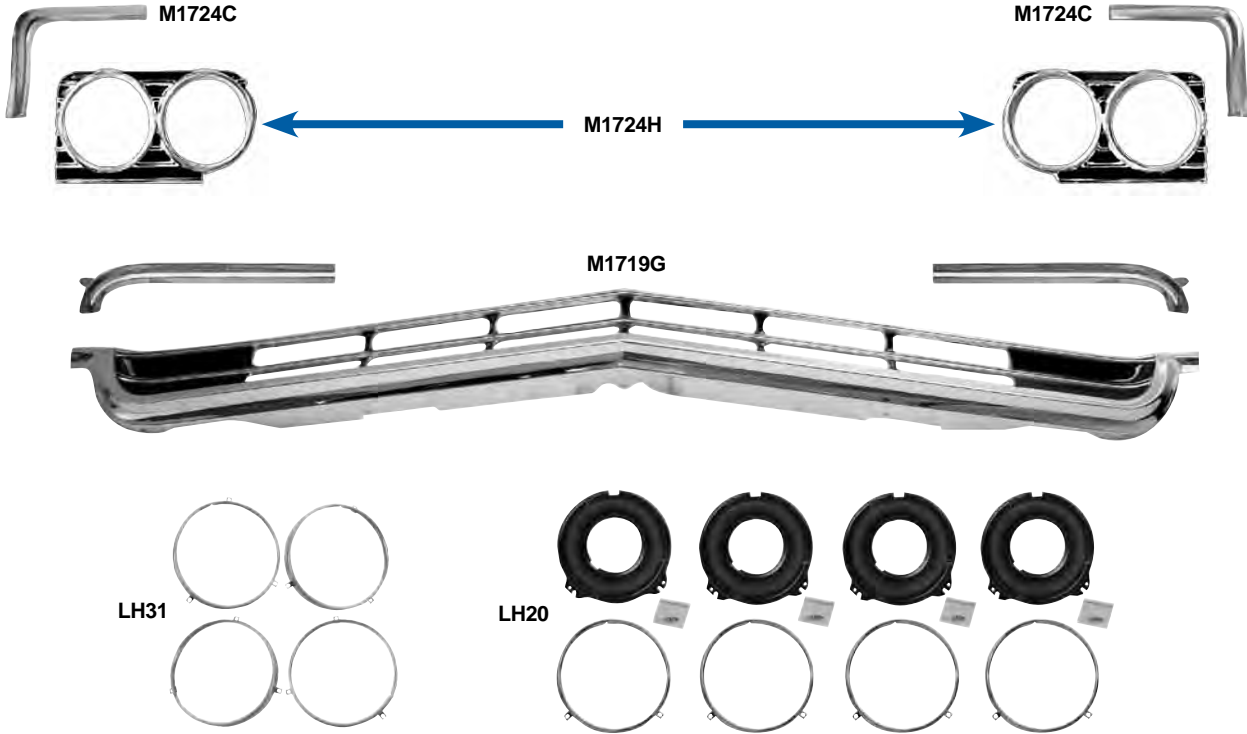


M1719C	1965	Grille	<b>MSRP \$545.00 ea</b>
M1718C	1965	Headlamp Bezels, 4 pcs./set	<b>MSRP \$167.00 set</b>
LH20	1958-66	Headlamp Mounting Bucket Set, 8 pcs.	<b>MSRP \$107.00 set</b>
LH31	1958-66	Headlamp Retaining Rings, 4 pcs.	<b>MSRP \$22.00 set</b>

Grilles & Components continued on pg. 126...

Muscle Car Parts & Molding • Muscle Car Parts & Molding • Muscle Car Parts & Molding

## 1966



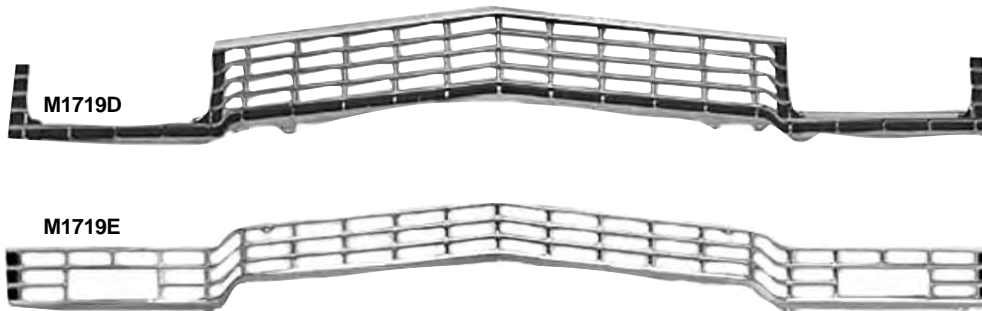
M1719G	1966	Lower Grille, 3 pcs.	<b>MSRP \$219.00 set</b>
M1724H	1966	Headlamp Bezels	<b>MSRP \$132.00 pr</b>
M1724C	1966	Eyebrow Moldings	<b>MSRP \$52.00 pr</b>
LH20	1958-66	Headlamp Mounting Bucket Set, 8 pcs.	<b>MSRP \$107.00 set</b>
LH31	1958-66	Headlamp Retaining Rings, 4 pcs.	<b>MSRP \$22.00 set</b>

## 1967



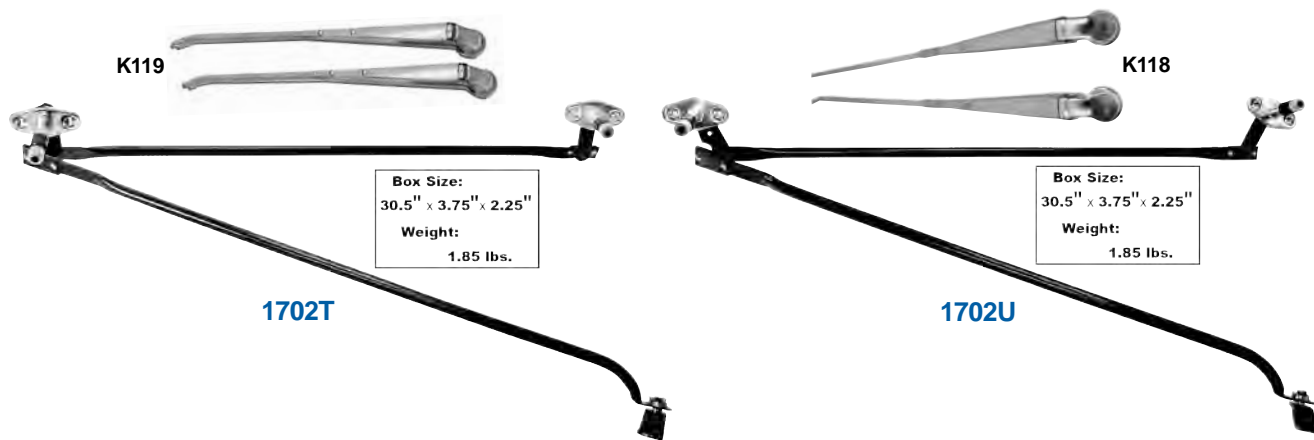
M1718D	1967	Headlamp Bezels	<b>MSRP \$165.00 pr</b>
M1718G	New 1967	Upper Eyebrow Moldings, pr	<b>Coming Soon!</b>

## 1968

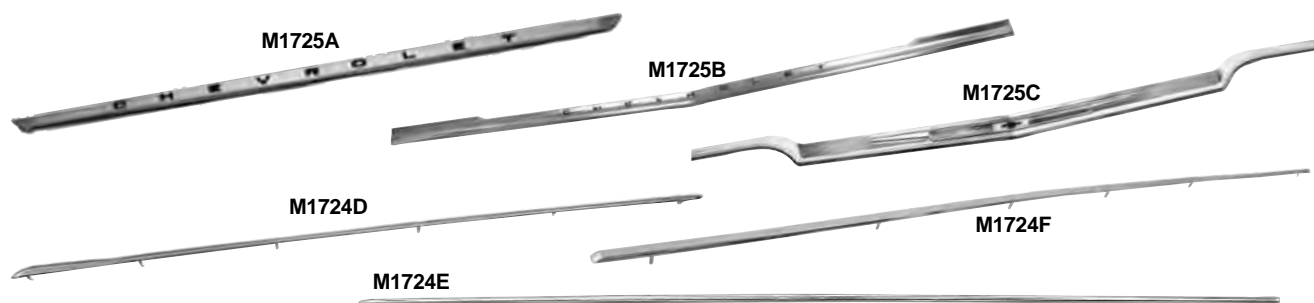


M1719D	1968	Upper Grille	<b>MSRP \$445.00 ea</b>
M1719E	1968	Lower Grille	<b>MSRP \$445.00 ea</b>





K119		1963-64	Wiper Arms	<b>MSRP \$60.00 pr</b>
1702T	New	1963	Wiper Motor Transmission Arm	<b>MSRP \$129.00 ea</b>
1702U	New	1964	Wiper Motor Transmission Arm	<b>MSRP \$129.00 ea</b>
K118		1966-67	Wiper Arms	<b>MSRP \$60.00 pr</b>



M1725A		1962	Hood Molding	<b>MSRP \$209.00 ea</b>
M1725B		1963	Hood Molding	<b>MSRP \$239.00 ea</b>
M1725C		1964	Hood Molding	<b>MSRP \$307.00 ea</b>
M1724D		1964	Hood Spear	<b>MSRP \$139.00 ea</b>
M1724E		1965	Hood Spear	<b>MSRP \$239.00 ea</b>
M1724F		1966	Hood Spear	<b>MSRP \$239.00 ea</b>



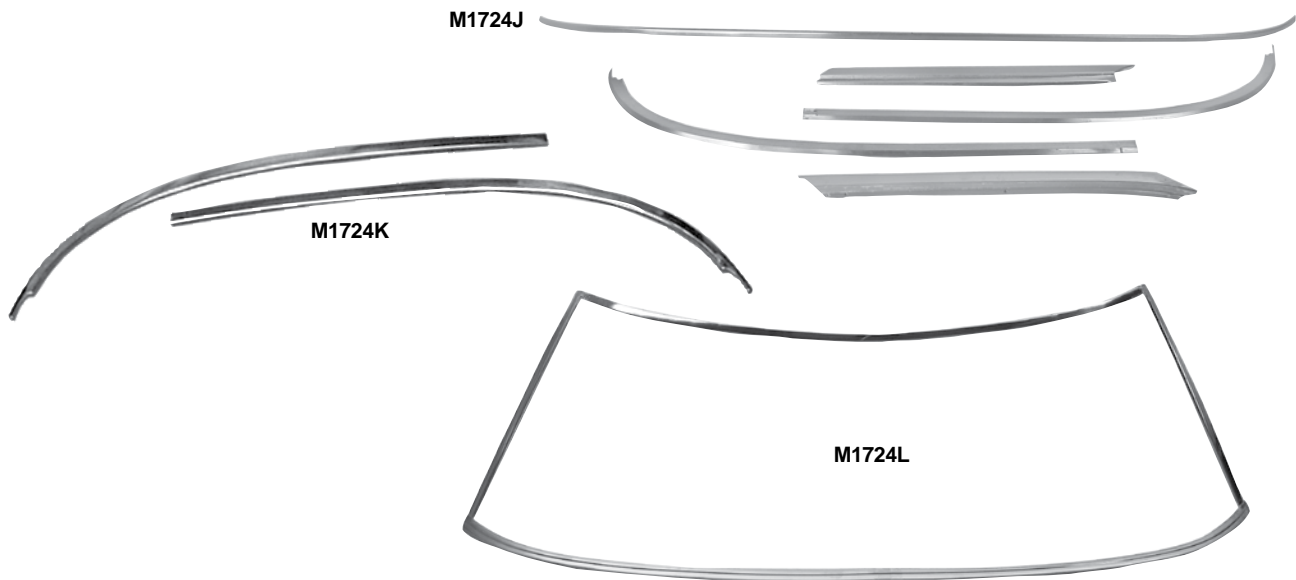
M1706		1963	Fender Molding, 4 pieces	<b>MSRP \$135.00 ea</b>
M1706B	New	1964	Upper Fender Molding	<b>Coming Soon!</b>
M1706A	New	1964	Lower Fender Moldings, pr	<b>Coming Soon!</b>
B231633		1966	Front Fender Molding, RH/LH	<b>MSRP \$62.00 ea</b>
M1707	New	1966	Front Fender Extension Moldings	<b>MSRP \$57.00 pr</b>

## Exterior Mirrors



M1036A	1959-60	Exterior Mirror	<b>MSRP \$49.00 ea</b>
M1036B	1961-62	Exterior Mirror	<b>MSRP \$49.00 ea</b>
M1035	1963-64	Exterior Mirror with "bowtie"	<b>MSRP \$29.00 ea</b>
M1036C	1965-66	Exterior Mirror, RH	<b>MSRP \$52.00 ea</b>
M1036D	1965-66	Exterior Mirror, LH	<b>MSRP \$52.00 ea</b>
M1036E	New 1967	Exterior Mirror with Gaskets & Hardware, RH	<b>Coming Soon!</b>
M1036F	New 1967	Exterior Mirror, LH	<b>Coming Soon!</b>
3921816	1968	Remote Mirror, LH	<b>MSRP \$130.00 ea</b>

## Windshield Moldings



M1724K	1962-64	Windshield Moldings, 2 pc. set Biscayne	<b>MSRP \$72.00 set</b>
M1724J	1963-64	Windshield Moldings, 5 pc. set	<b>MSRP \$199.00 set</b>
M1724L	1965-67	Windshield Moldings, 5 pc. set	<b>MSRP \$185.00 set</b>

Muscle Car Parts & Molding • Muscle Car Parts & Molding • Muscle Car Parts & Molding



Muscle Car Parts & Molding • Muscle Car Parts & Molding • Muscle Car Parts & Molding

B220500

B221500

B227500

B229585

B221000	1961	Upper Door Molding, RH
B220500	1961	Upper Door Molding, LH
B221500	1961	Lower Door Molding, RH/LH

**MSRP \$29.00 ea**

B227500	1964	Upper Door Mldg, RH/LH	2 Door
---------	------	------------------------	--------

**MSRP \$45.00 ea**

B229580	1964	Upper Front Door Mldg, RH/LH	4 Door
---------	------	------------------------------	--------

**MSRP \$39.00 ea**

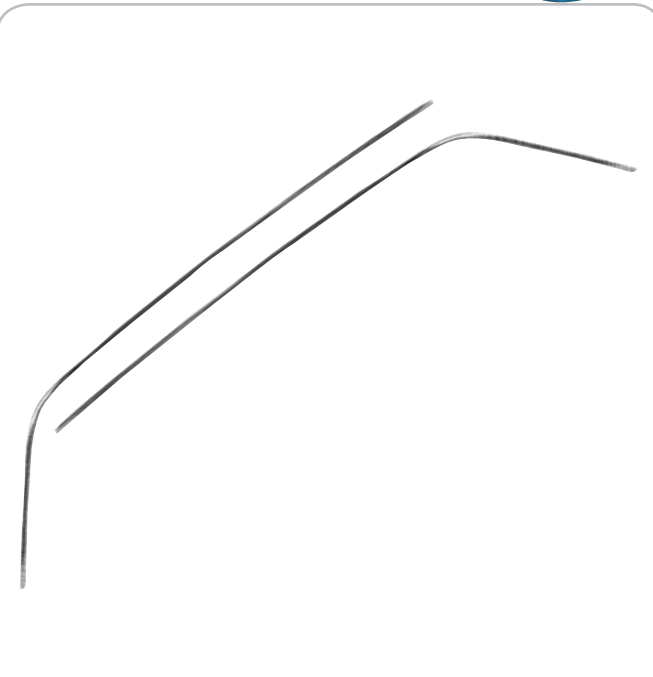
B229585	1964	Upper Rear Door Mldg, RH/LH	4 Door
---------	------	-----------------------------	--------

**MSRP \$39.00 ea**

B231635	1966	Door Mldg, RH/LH	2 Door
---------	------	------------------	--------

**MSRP \$62.00 ea**

Door Molding

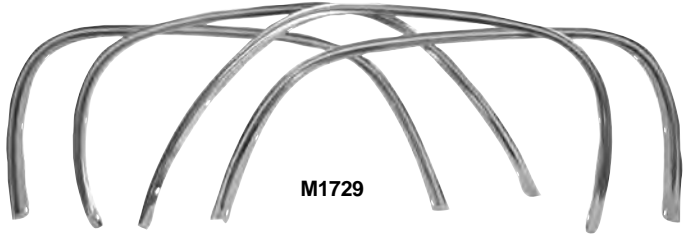


M1738	1962-64	Drip Rail Moldings
-------	---------	--------------------

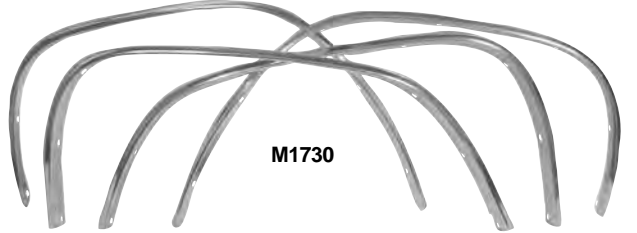
**MSRP \$125.00 pr**

Drip Rail Mldg.

1965-70



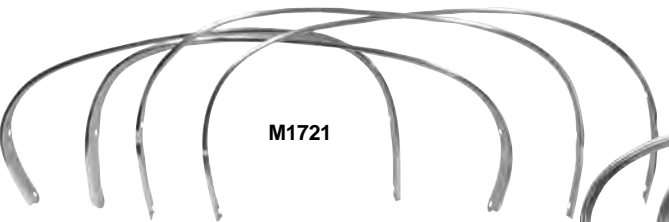
M1729



M1730

M1729	1965	Wheel Opening Molding Set, 4 pcs	<b>MSRP \$170.00 set</b>
M1730	1966	Wheel Opening Molding Set, 4 pcs	<b>MSRP \$170.00 set</b>
M1731	1967	Wheel Opening Molding Set, 4 pcs	<b>MSRP \$170.00 set</b>

Wheel Opening Moldings



M1721



M1733A

M1732	1968	Wheel Opening Molding Set, 4 pcs	<b>MSRP \$170.00 set</b>
M1733A	<b>New</b> 1969	Wheel Opening Molding Set, 4 pcs	<b>MSRP \$170.00 set</b>
M1733	1970	Wheel Opening Molding Set, 4 pcs	<b>MSRP \$170.00 set</b>

Wheel Opening Moldings continued on pg. 130...

## Wheel Opening Moldings

1977-90



M1700

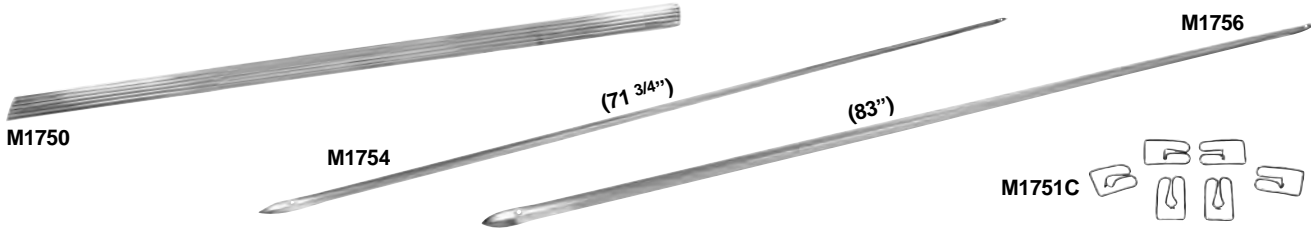


M1712

(Also fit 1977-79 Caprice™)

M1700	1977-79	Front Wheel Opening Molding, RH	MSRP \$32.00 ea
M1701	1977-79	Front Wheel Opening Molding, LH	MSRP \$32.00 ea
M1702	1977-79	Rear Wheel Opening Molding, RH	MSRP \$32.00 ea
M1703	1977-79	Rear Wheel Opening Molding, LH	MSRP \$32.00 ea
M1710	1980-90	Front Wheel Opening Molding, RH	MSRP \$27.00 ea
M1711	1980-90	Front Wheel Opening Molding, LH	MSRP \$27.00 ea
M1712	1980-90	Rear Wheel Opening Molding, RH	MSRP \$27.00 ea
M1713	1980-90	Rear Wheel Opening Molding, LH	MSRP \$27.00 ea

## Rocker Panel Moldings



M1750

M1754

(71 3/4")

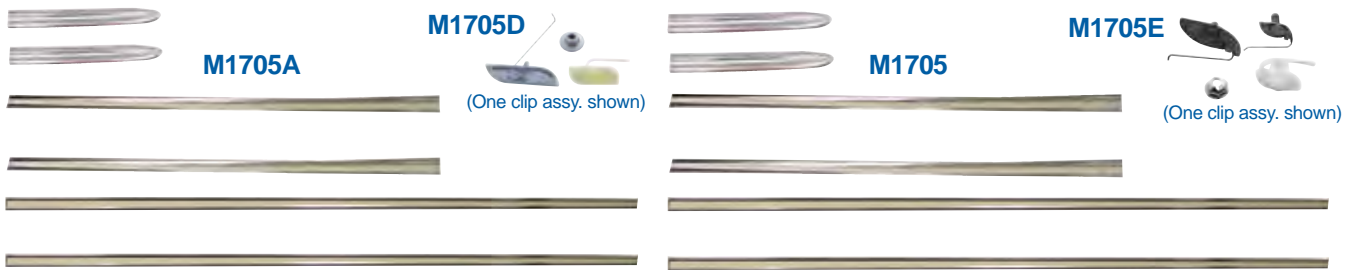
(83")

M1756

M1751C

M1750	1961-64	Rocker Panel Mldg w/clips, RH Standard	MSRP \$67.00 ea
M1751	1961-64	Rocker Panel Mldg w/clips, LH Standard	MSRP \$67.00 ea
M1751C	1962-64	Rocker Panel Mldg Clips, 6 pcs/set	MSRP \$20.00 set
M1754	1965-66	Rocker Panel Molding, For "SS"	MSRP \$97.00 pr
M1756	1968-69	Rocker Panel Molding, For "SS"	MSRP \$97.00 pr

## Body Side Molding



M1705A

M1705D

(One clip assy. shown)

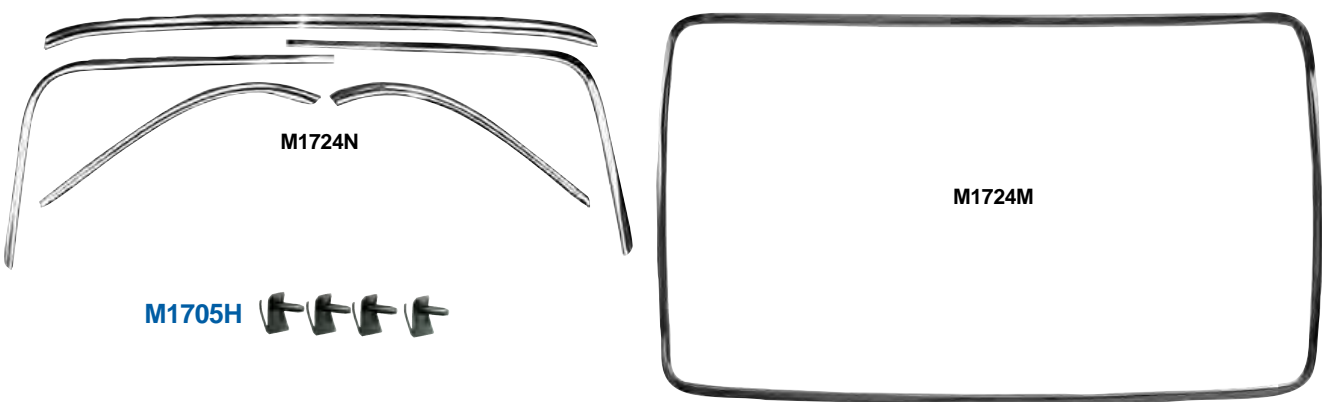
M1705

M1705E

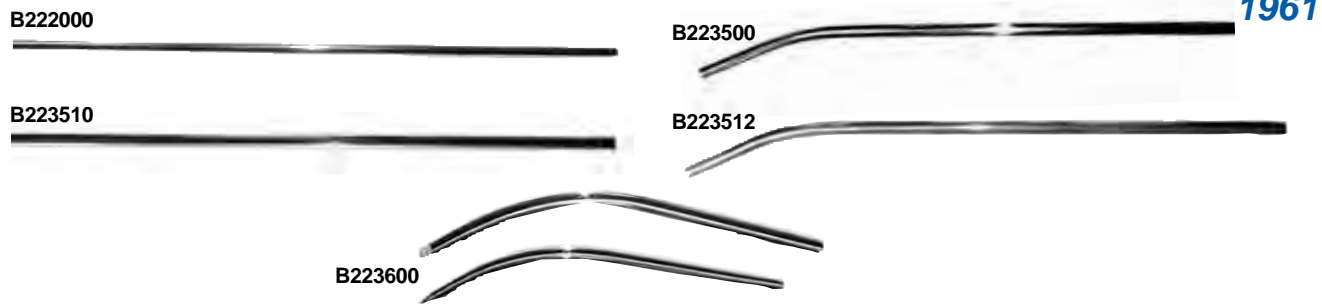
(One clip assy. shown)

M1705A	New	1963	"SS" Body Side Molding Set, 6 pieces	MSRP \$530.00 set
M1705	New	1963	Body Side Molding Set, 6 pieces	MSRP \$499.00 set
M1705G	New	1963	Body Side Molding Clips	MSRP \$22.00 set
M1705D	New	1963	Complete Body Side Molding Clip Set	MSRP \$37.00 set
M1705C	New	1964	"SS" Body Side Molding Set, 8 pieces	MSRP \$595.00 set
M1705F	New	1964	"SS" Body Side Molding Clips	MSRP \$49.00 set
M1705B	New	1964	Body Side Molding Set, 14 pieces	MSRP \$530.00 set
M1705E	New	1964	Body Side Molding Clips	MSRP \$69.00 set

Muscle Car Parts & Molding • Muscle Car Parts & Molding • Muscle Car Parts & Molding



M1724N	1962-64	Rear Window Moldings, 5 pieces	<b>MSRP \$199.00 set</b>
M1705H	New 1962-64	Rear Window Molding Clips, 6 pieces (Hard Top only)	<b>MSRP \$19.00 set</b>
M1724M	1965-66	Rear Window Moldings, 5 pieces	<b>MSRP \$187.00 set</b>



B222500	1961	Upper Quarter Panel Molding, RH	2 Door	<b>MSRP \$47.00 ea</b>
B222000	1961	Upper Quarter Panel Molding, LH	2 Door	<b>MSRP \$47.00 ea</b>
B223500	1961	Lower Quarter Panel Molding, RH	2 Door	<b>MSRP \$62.00 ea</b>
B223000	1961	Lower Quarter Panel Molding, LH	2 Door	<b>MSRP \$62.00 ea</b>
B223511	1961	Upper Quarter Panel Molding, RH	4 Door	<b>MSRP \$42.00 ea</b>
B223510	1961	Upper Quarter Panel Molding, LH	4 Door	<b>MSRP \$42.00 ea</b>
B223513	1961	Lower Quarter Panel Molding, RH	4 Door	<b>MSRP \$59.00 ea</b>
B223512	1961	Lower Quarter Panel Molding, LH	4 Door	<b>MSRP \$59.00 ea</b>
B223600	1961	Rear Wrap-Around Moldings		<b>MSRP \$64.00 pr</b>

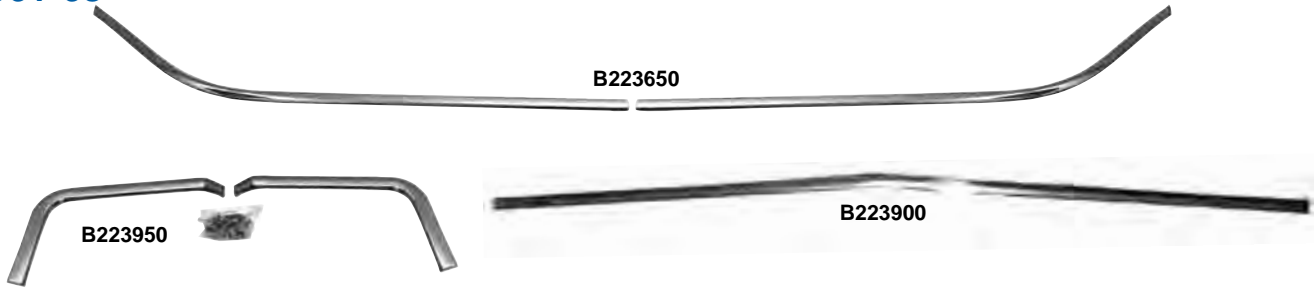


B229500	1964	Upper Quarter Panel Molding, RH/LH	2 Door	<b>MSRP \$55.00 ea</b>
B229590	1964	Upper Qtr Panel Molding, RH/LH	4 Door	<b>MSRP \$60.00 ea</b>



B231640	1966	Rear Quarter Panel Molding, RH/LH	2 Door	<b>MSRP \$62.00 ea</b>
B231650	1966	Rear Wrap-Around Moldings, RH/LH		<b>MSRP \$62.00 pr</b>

## 1961-63



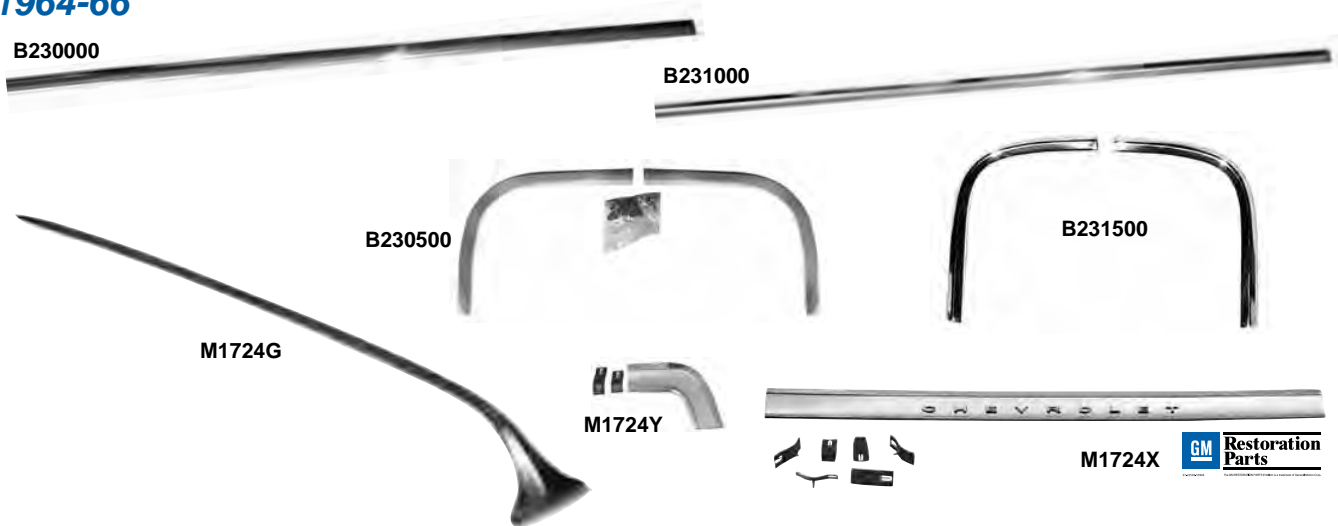
B223650	1961	Trunk Moldings	MSRP \$100.00 pr
B223900	1962	Upper Trunk Molding	MSRP \$62.00 ea
B223950	1962	Tail Lamp Cove Moldings	MSRP \$74.00 pr

## 1963



M1725P	1963	Upper Trunk Lid Molding	MSRP \$200.00 ea
B226000	1963	Lower Trunk Molding w/clips	MSRP \$67.00 ea
M1725Q	1963	Rear Cove Corner Moldings	MSRP \$150.00 pr

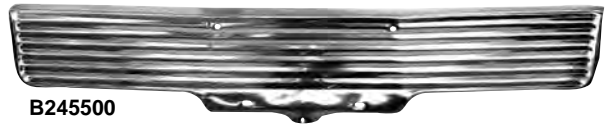
## 1964-66



B230000	1964	Upper Trunk Molding, Belair/SS	MSRP \$67.00 ea
B231000	1964	Lower Trunk Molding, Belair/SS	MSRP \$67.00 ea
B230500	1964	Outer Cove Moldings, Belair/SS	MSRP \$67.00 pr
B231500	1964	Inner Cove Moldings, Belair/SS	MSRP \$67.00 pr
M1724X	1964	Standard Rear Panel Molding w/clips	MSRP \$117.00 ea
M1724Y	1964	Quarter Extension Molding w/clips, RH	MSRP \$35.00 ea
M1724Z	1964	Quarter Extension Molding w/clips, LH	MSRP \$35.00 ea
M1724G	1964	Trunk Spear with clips	MSRP \$95.00 ea
B231660	1966	Trunk Lid Molding	MSRP \$129.00 ea



B245000



B245500



B247000

M1780



B246500



B246000

B244500	1962	Front License Panel	MSRP \$85.00 ea
B245000	1962	Rear License Panel	MSRP \$85.00 ea
B245500	1963	Front License Panel	MSRP \$72.00 ea
B246000	1963	Rear License Panel	MSRP \$72.00 ea
B246500	1964	Front License Panel	MSRP \$77.00 ea
B247000	1964	Rear License Panel	MSRP \$77.00 ea
M1780	1962-64	License Panel Clips, 50 pc. set	MSRP \$35.00 set

*New For 2011!*



EM1720



EM1721

EM1750



EM1720	New	1961	Fender Ornaments, pr	<i>Coming Soon!</i>
EM1721	New	1962	Fender Ornaments, pr	<i>Coming Soon!</i>
EM1750	New	1963	Fender Side Louvers with Hardware, 4 pcs.	<i>Coming Soon!</i>

## 1961-62



**New For 2011!**



EM2102	New	1961	Grille Emblem	MSRP \$109.00 ea
EM2128	New	1961	Rear Quarter Script	MSRP \$62.00 set
EM2127	New	1961	"SS" Rear Quarter Emblems	MSRP \$297.00 pr
EM1730	New	1962	Chrome Hood Emblem with Bezel	<i>Coming Soon!</i>
EM2161	New	1962-63	"V" Front Fender Emblem	MSRP \$67.00 ea
EM1700	New	1962	Quarter Panel Emblems	MSRP \$39.00 set
EM1701	New	1962	"SS" Quarter Panel Emblems	MSRP \$45.00 pr
EM2171	New	1962	Rear Quarter Panel Script	MSRP \$62.00 set
EM1761	New	1962	Chrome Trunk Emblem with Bezel	<i>Coming Soon!</i>
EM1760	New	1962	"SS" Trunk Emblem	MSRP \$29.00 ea

## 1963



**New For 2011!**



EM1731	New	1963	Hood Emblem	MSRP \$75.00 ea
EM2202	New	1963	Hood Emblem Assembly	MSRP \$120.00 ea
EM1708	New	1963	Front Fender Emblems, pr	<i>Coming Soon!</i>
EM1702	New	1963	Quarter Panel Emblems	MSRP \$39.00 set
EM1703	New	1963	"SS" Quarter Panel Emblems	MSRP \$47.00 set
EM2255	New	1963	Rear Quarter Molding Letters Set	MSRP \$44.00 set
EM1762	New	1963	Chrome Trunk Emblem with Bezel	<i>Coming Soon!</i>



1964



**New For 2011!**



EM1732	New	1964	Hood Emblem, Insert Only	MSRP \$29.00 ea
EM1740	New	1964	"Chevrolet" Script Grille Emblem	<i>Coming Soon!</i>
EM4006	New	1964	"V" Front Fender Emblem	<i>Coming Soon!</i>
EM1704	New	1964	Quarter Panel Emblems	MSRP \$39.00 set
EM1705	New	1964	Quarter Panel Emblems, "SS"	MSRP \$47.00 set
EM1710	New	1964	"SS" Trunk Emblem	<i>Coming Soon!</i>
EM1763	New	1964	Chrome Trunk Emblem with Bezel	<i>Coming Soon!</i>
EM1765	New	1964	"Chevrolet" Rear Deck Letters Set (Includes mounting tool)	<i>Coming Soon!</i>

1965



**New For 2011!**



EM1741	New	1965	"Chevrolet" Script Grille Emblem	<i>Coming Soon!</i>
EM1742	New	1965	"Impala SS" Grille Emblem	<i>Coming Soon!</i>
EM1733	New	1965	Hood Emblem Assembly	<i>Coming Soon!</i>
EM1707	New	1965-66	"SS" Fender Emblems, pr	<i>Coming Soon!</i>
EM1706	New	1965	Door Panel Emblems, pr	<i>Coming Soon!</i>
EM1764	New	1965	Chrome Trunk Emblem with Bezel	<i>Coming Soon!</i>
EM1767	New	1965	"Chevrolet" Script Lower Rear End Emblem	<i>Coming Soon!</i>
EM1766	New	1965	"Impala SS" Lower Rear End Emblem	<i>Coming Soon!</i>

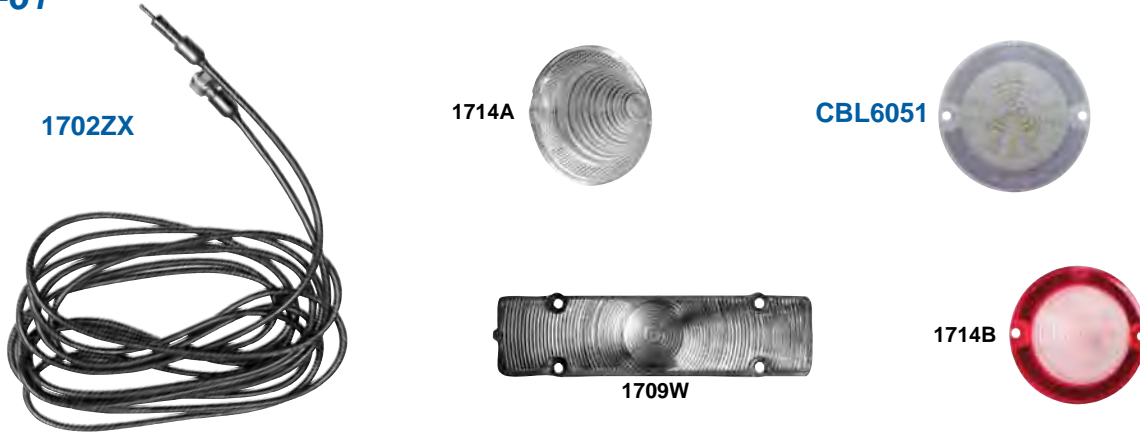
1966-68

**New For 2011!**



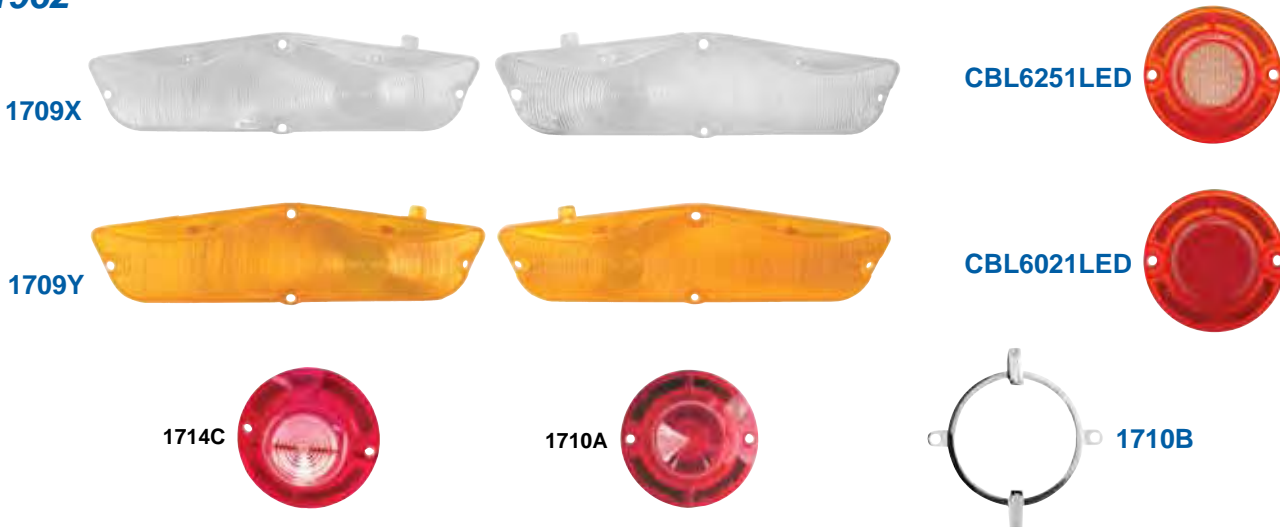
EM1743	New	1966	"Chevrolet" Script Grille Emblem	<i>Coming Soon!</i>
EM1744	New	1966	"Chevrolet Impala SS" Grille Emblem	<i>Coming Soon!</i>
EM1707	New	1965-66	"SS" Fender Emblems, pr	<i>Coming Soon!</i>
EM1711	New	1966-68	"Chevrolet" Trunk Emblem	<i>Coming Soon!</i>

## 1958-61



1702ZX	New	1958-64	Cable for Rear Mount Antenna	<i>Coming Soon!</i>
1702YA	New	1961-62	Antenna Kit, Rear RH	<i>Coming Soon!</i>
1702YB	New	1961-62	Antenna Kit, Rear LH	<i>Coming Soon!</i>
1714A		1960	Back Up Lens, Clear	<b>MSRP \$9.00 ea</b>
CBL6051	New	1960-61	Back Up Lamp, L.E.D., Clear	<b>MSRP \$64.00 ea</b>
CTL6061LED	New	1960-61	Tail Lamp, L.E.D., Red	<b>MSRP \$30.00 ea</b>
1709W		1961	Parking Lamp Lens, Clear	<b>MSRP \$10.00 ea</b>
1714B		1961	Back Up Lens, White/Red	<b>MSRP \$9.00 ea</b>

## 1962



1702YA	New	1961-62	Antenna Kit, Rear RH	<i>Coming Soon!</i>
1702YB	New	1961-62	Antenna Kit, Rear LH	<i>Coming Soon!</i>
1709X	New	1962	Parking Lamp Lenses, Clear, pr.	<i>Coming Soon!</i>
1709Y	New	1962	Parking Lamp Lenses, Amber, pr.	<i>Coming Soon!</i>
CBL6251LED	New	1962	Back Up Lamp, L.E.D., Red/Clear	<b>MSRP \$69.00 ea</b>
CTL6021LED	New	1962	Tail Lamp, L.E.D., Red	<b>MSRP \$32.00 ea</b>
1714C		1962	Back Up Lens, White/Red	<b>MSRP \$7.00 ea</b>
1710A		1962	Tail Lamp Lens, Red	<b>MSRP \$7.00 ea</b>
1710B	New	1962	Tail/Back Up Lamp Lens Trim, Chrome	<i>Coming Soon!</i>

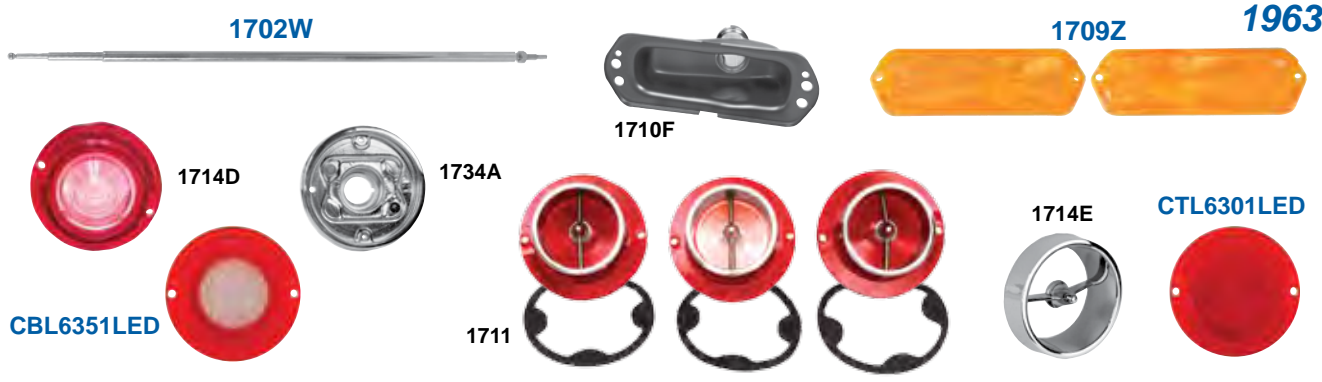


# IMPALA™



Exterior Electrical & Components

Muscle Car Parts & Molding • Muscle Car Parts & Molding • Muscle Car Parts & Molding

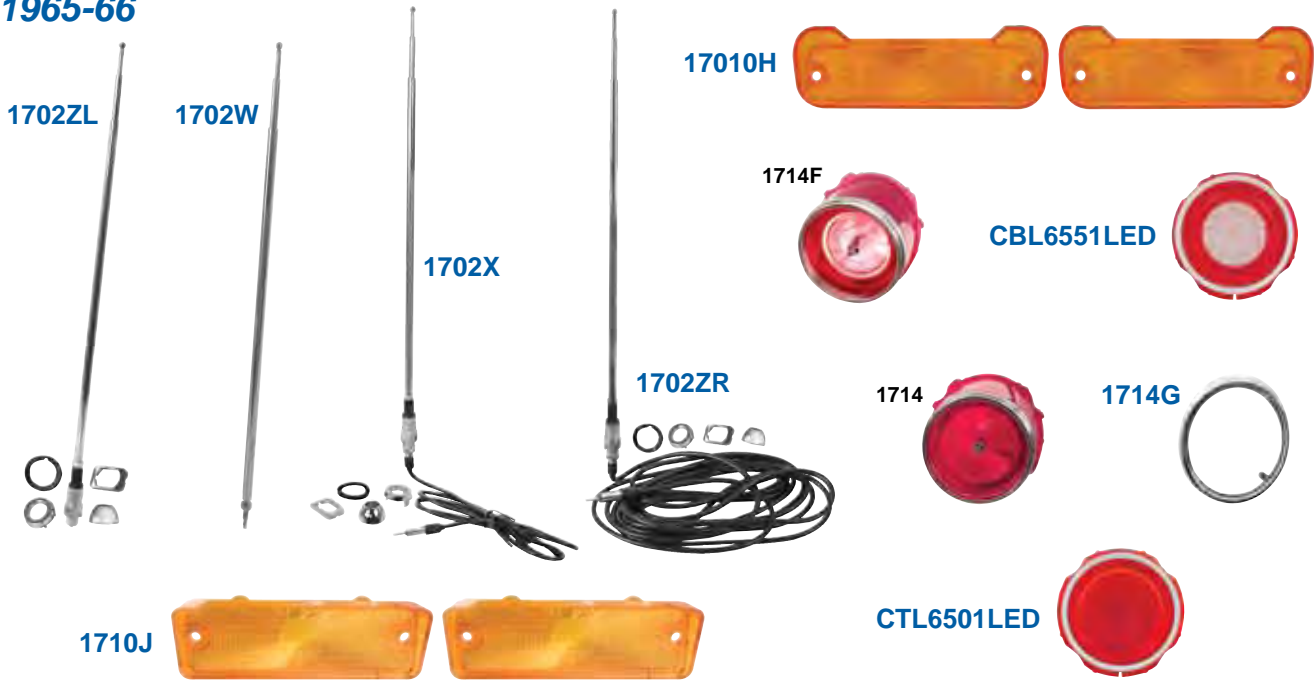


1702YC	New	1963	Antenna Kit, Rear RH	<i>Coming Soon!</i>
1702YD	New	1963	Antenna Kit, Rear LH	<i>Coming Soon!</i>
1702W	New	1963-66	Telescoping Antenna W/O Cable ('63 Front Mount, '64-'66 Rear Mount)	<i>Coming Soon!</i>
1702ZX	New	1958-64	Cable for Rear Mount Antenna	<i>Coming Soon!</i>
1710F		1963	Parking Lamp Housing, RH/LH	<b>MSRP \$30.00 ea</b>
1709Z	New	1963	Parking Lamp Lenses, Amber, pr.	<i>Coming Soon!</i>
1714D		1963	Back Up Lens, White/Red	<b>MSRP \$9.00 ea</b>
CBL6351LED	New	1963	Back Up Lamp, L.E.D., Red/Clear	<b>MSRP \$69.00 ea</b>
1734A		1963	Tail Lamp Housing, RH (3 per car)	<b>MSRP \$37.00 ea</b>
1734B		1963	Tail Lamp Housing, LH (3 per car)	<b>MSRP \$37.00 ea</b>
1711		1963	Tail Lamp Lenses, 3 Pcs. With Chrome Trim	<b>MSRP \$49.00 set</b>
1714E		1963	Tail Lamp Lens Trim	<b>MSRP \$9.00 ea</b>
CTL6301LED	New	1963	Tail Lamp, L.E.D., Red	<b>MSRP \$32.00 ea</b>



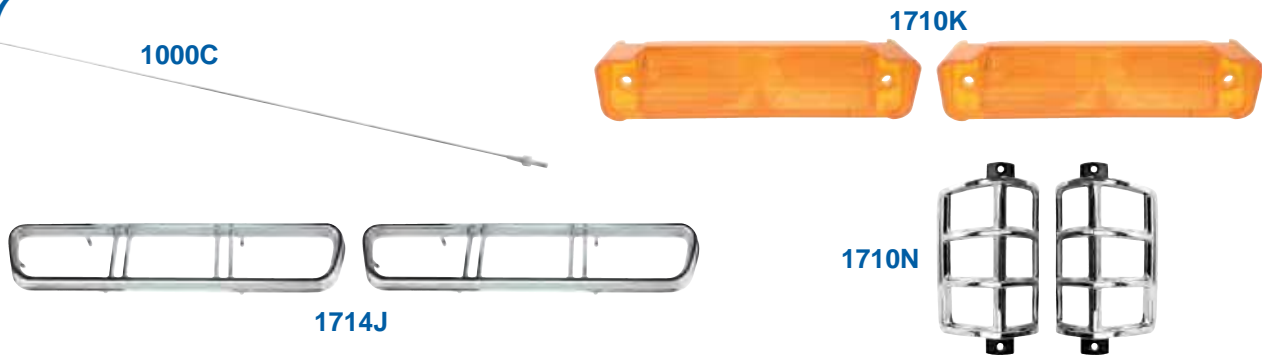
1702YR	New	1964	Antenna Kit, Rear RH	<i>Coming Soon!</i>
1702YL	New	1964	Antenna Kit, Rear LH	<i>Coming Soon!</i>
1702W	New	1964-66	Telescoping Antenna W/O Cable ('63 Front Mount, '64-'66 Rear Mount)	<i>Coming Soon!</i>
1702ZX	New	1958-64	Cable for Rear Mount Antenna	<i>Coming Soon!</i>
1710		1964	Parking Lamp Assembly	<b>MSRP \$42.00 ea</b>
1713		1964	Back Up Lens, White/Red with Trim	<b>MSRP \$22.00 ea</b>
CBL6451LED	New	1964	Back Up Lamp, L.E.D., Red/Clear	<b>MSRP \$69.00 ea</b>
1734C		1964	Tail Lamp Housing	<b>MSRP \$39.00 ea</b>
1712		1964	Tail Lamp Lens, Red With Chrome Trim	<b>MSRP \$19.00 ea</b>
CTL6401LED	New	1964	Tail Lamp, L.E.D., Red	<b>MSRP \$32.00 ea</b>

## 1965-66



1702ZL	New	1965-66	Telescoping Antenna without Cable	<i>Coming Soon!</i>
1702W	New	1964-66	Telescoping Antenna W/O Cable ('63 Front Mount, '64-'66 Rear Mount)	<i>Coming Soon!</i>
1702X	New	1965	Telescoping Antenna with Cable (Front Mount)	<i>Coming Soon!</i>
1702ZR	New	1965-66	Telescoping Antenna with Cable	<i>Coming Soon!</i>
1710H	New	1965	Parking Lamp Lenses, pr Amber	<i>Coming Soon!</i>
1714F		1965	Back Up Lens	<b>MSRP \$19.00 ea</b>
CBL6551LED	New	1965	Back Up Lamp, L.E.D., Red/Clear	<b>MSRP \$69.00 ea</b>
1714		1965	Tail Lamp Lens, Red With Chrome Trim	<b>MSRP \$19.00 ea</b>
1714G	New	1965	Tail/Back Up Lamp Bezel, RH	<i>Coming Soon!</i>
1714H	New	1965	Tail/Back Up Lamp Bezel, LH	<i>Coming Soon!</i>
CTL6501LED	New	1965	Tail Lamp, L.E.D., Red	<b>MSRP \$30.00 ea</b>
1710J	New	1966	Parking Lamp Lenses, pr Amber	<i>Coming Soon!</i>

## 1967



1000C	New	1967-69	Antenna without Cable	<i>Coming Soon!</i>
1710K	New	1967	Parking Lamp Lenses, Amber, pr.	<i>Coming Soon!</i>
1714J	New	1967	Tail Lamp Bezels, Chrome, pr.	<i>Coming Soon!</i>
1710N	New	1967	Cornering Lamp Bezels, Chrome, pr.	<i>Coming Soon!</i>



# IMPALA™



1968

1710L



1710M

CBL6851LED



CTL6801LED

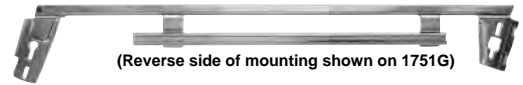


CBL6851LED	New	1968	Back Up Lamp, L.E.D., Red/Clear	MSRP \$70.00 ea
CTL6801LED	New	1968	Tail Lamp, L.E.D., Red with trim	MSRP \$35.00 ea
1710L	New	1968	Cornering Lamp Lenses, RH, Clear	<i>Coming Soon!</i>
1710M	New	1968	Cornering Lamp Lenses, LH, Clear	<i>Coming Soon!</i>

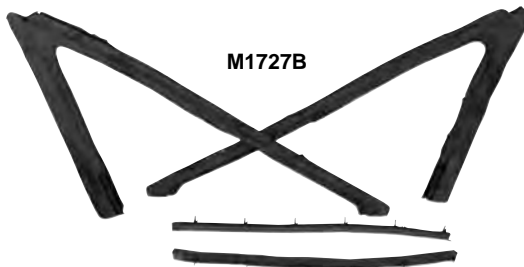


1751G

M1717E



(Reverse side of mounting shown on 1751G)



M1727B



M1727D



M1727



M1727A

1751G	New	1962-64	Door Glass Assembly, RH	MSRP \$475.00 ea
1751H	New	1962-64	Door Glass Assembly, LH	MSRP \$475.00 ea
M1717E		1961-64	Door Window Lower Frame, RH	MSRP \$67.00 ea
M1717F		1961-64	Door Window Lower Frame, LH	MSRP \$67.00 ea
M1727B		1961-62	Vent Window Seals, 4 pcs. For 2 Door	MSRP \$65.00 set
M1727D		1961-62	Vent Window Stoppers, Convertible	MSRP \$25.00 pr
M1727A		1961-64	Quarter Window Stoppers, 2 door, Convertible	MSRP \$22.00 pr
M1727		1961-64	U-Jamb Rubber Seals, Coupe	MSRP \$22.00 pr



M1727C



M1727E

M1727F



M1727C		1963-64	Vent Window Seals, 4 pcs. For 2 Door	MSRP \$65.00 set
M1727E		1963-64	Vent Window Stoppers, Hard Top	MSRP \$25.00 pr
M1727F		1963-64	Vent Window Stoppers, Convertible	MSRP \$25.00 pr

Muscle Car Parts & Molding • Muscle Car Parts & Molding • Muscle Car Parts & Molding

Ext. Electrical

Glass & Seals



1709A  
(top)

1709A  
(bottom)



1709

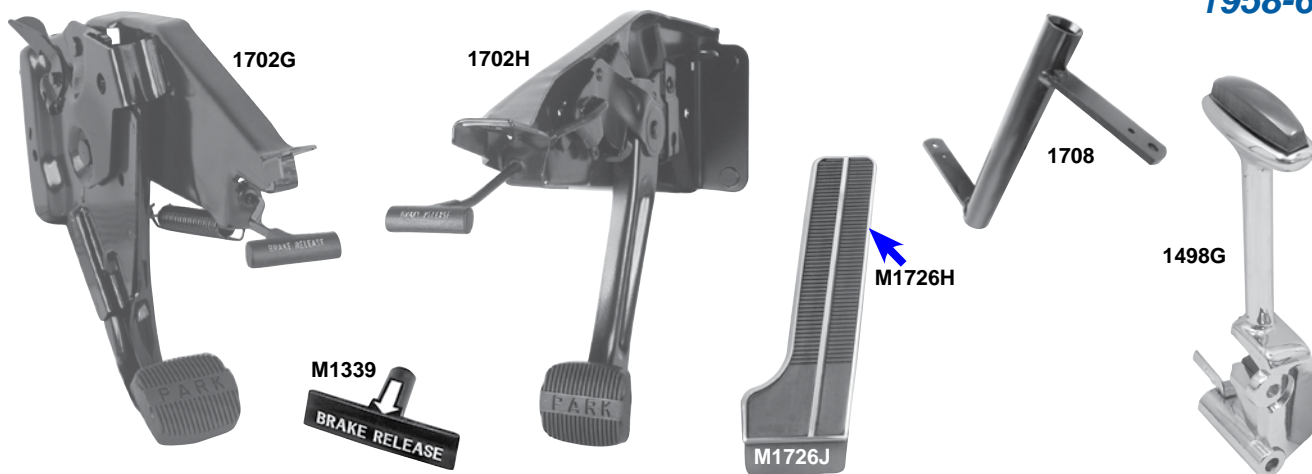
1709A	1963	Heater Core Case	MSRP \$319.00 ea
1709B	1964	Heater Core Case	Call For Price
1709C	1963-64	Heater Core Case Vent	Call For Price
1709	1963-64	Metal Heater Box Assembly	MSRP \$40.00 ea



1717R	1963	Fresh Air Vent Assembly, RH Chrome Knob	MSRP \$97.00 ea
1717L	1963	Fresh Air Vent Assembly, LH Chrome Knob	MSRP \$97.00 ea
1716R	1964	Fresh Air Vent Assembly, RH Std Knob	MSRP \$97.00 ea
1716L	1964	Fresh Air Vent Assembly, LH Std Knob	MSRP \$97.00 ea
1716CR	1964	Fresh Air Vent Assembly, RH Deluxe Chrome Knob	MSRP \$97.00 ea
1716CL	1964	Fresh Air Vent Assembly, LH Deluxe Chrome Knob	MSRP \$97.00 ea

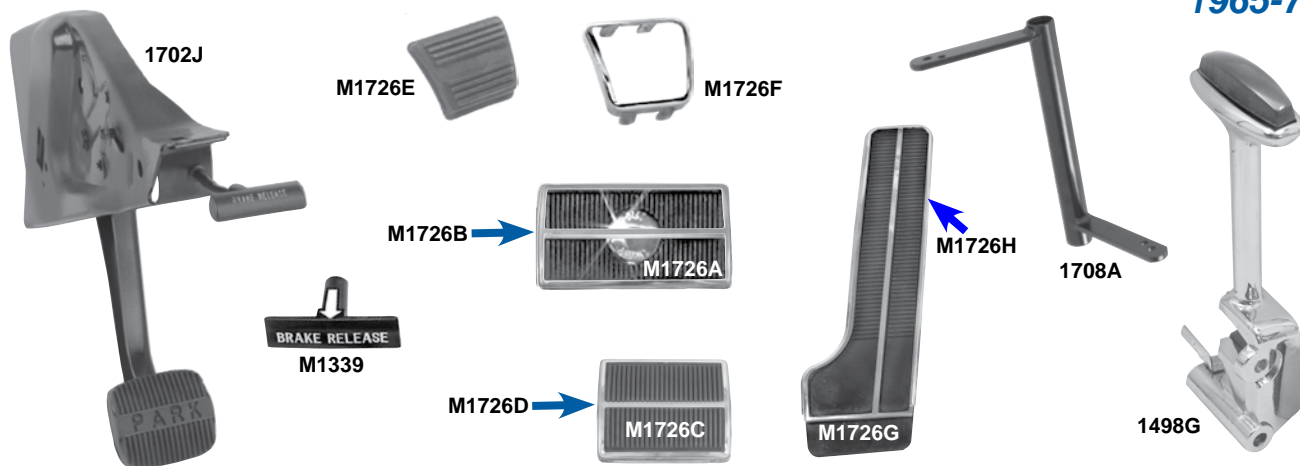


## 1958-64



1702G	1963	Parking Brake Assembly	MSRP \$100.00 ea
1702M	New 1963	Parking Brake Cable Guide Pulley	Coming Soon!
M1339	1963-70	Parking Brake Release Handle	MSRP \$10.00 ea
1702H	1964	Parking Brake Assembly	MSRP \$100.00 ea
M1726J	1958-63	Accelerator Pedal Pad	MSRP \$19.00 ea
1708	1962-64	Clutch Countershaft (Z-bar)	MSRP \$27.00 ea
1498G	1964-67	Shifter Lever with Push Button, Automatic	MSRP \$119.00 ea

## 1965-70



1702J	1965	Parking Brake Assembly	MSRP \$100.00 ea
M1339	1963-70	Parking Brake Release Handle	MSRP \$10.00 ea
M1726A	1965-70	Disc Brake Pedal Pad, Automatic Transmission	MSRP \$12.00 ea
M1726B	1965-70	Disc Brake Pedal Pad Trim	MSRP \$10.00 ea
M1726C	1965-70	Brake Pedal Pad, Manual Transmission	MSRP \$10.00 ea
M1726D	1965-70	Brake Pedal Pad Trim Manual Transmission	MSRP \$10.00 ea
M1726E	1965-70	Parking Brake Pedal Pad	MSRP \$7.00 ea
M1726F	1965-70	Parking Brake Pedal Pad Trim	MSRP \$9.00 ea
M1726G	1965	Accelerator Pedal Pad	MSRP \$14.00 ea
M1726H	1965	Accelerator Pedal Pad Trim	MSRP \$12.00 ea
1708A	1965-70	Clutch Countershaft (Z-bar)	MSRP \$34.00 ea
1498G	1964-67	Shifter Lever with Push Button, Automatic Transmission	MSRP \$119.00 ea

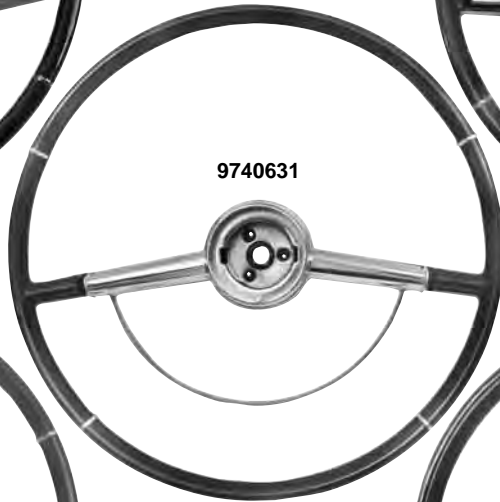
## Steering Wheels



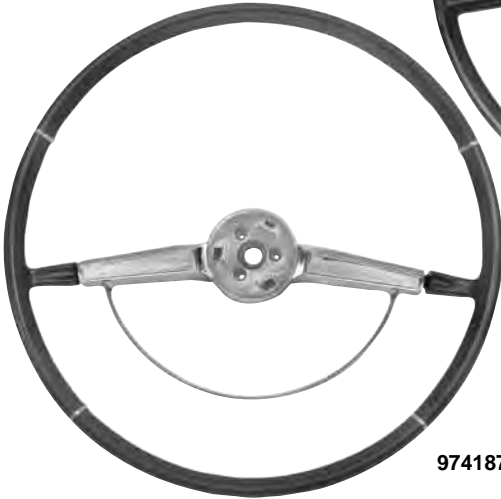
769868



769968



9740631



9741875



3939731

769868	1962	Steering Wheel, Black	MSRP \$320.00 ea
769968	1963	Steering Wheel, Black	MSRP \$320.00 ea
9740631	1964	Steering Wheel, Black	MSRP \$320.00 ea
9741875	1965-66	Steering Wheel, Black	MSRP \$320.00 ea
3939731	1969-70	Steering Wheel, Black	MSRP \$232.00 ea



1709F



3841275



3874620



3858429

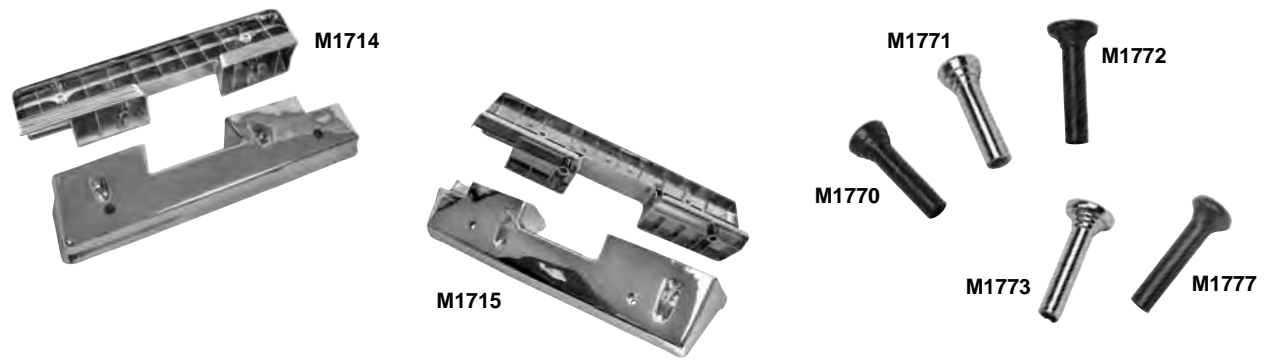
1709G	New	1963	Horn Cap	MSRP \$64.00 ea
1709F	New	1963	Chrome Horn Rim	MSRP \$64.00 ea
3841275		1964	Horn Cap	MSRP \$57.00 ea
3858429		1965	Horn Cap	MSRP \$57.00 ea
3874620		1966	Horn Cap	MSRP \$57.00 ea

Muscle Car Parts & Molding • Muscle Car Parts & Molding • Muscle Car Parts & Molding





1154D	1957-62	Rear View Mirror, Day/Night	MSRP \$60.00 ea
1154C	1958-62	Rear View Mirror, Stainless	MSRP \$22.00 ea
M1036J	New 1961-64	Rear View Mirror Bracket, Chrome (Hard Top & Sedan)	Coming Soon!
916177	1963-64	Rear View Mirror, 8 inch	MSRP \$40.00 ea
M1035C	1963-66	Rear View Mirror, Standard	MSRP \$24.00 ea
911366	1965-72	Rear View Mirror, 10 inch	MSRP \$40.00 ea
M1036K	New 1965-66	Rear View Mirror Bracket, Chrome	Coming Soon!
M1781	1959-63	Sun Visor Support Brackets	MSRP \$52.00 pr
M1338	1964-68	Sun Visor Support Bracket	MSRP \$20.00 ea



M1714	1962-64	Arm Rest Bases, Chrome	MSRP \$45.00 pr
M1715	1965-67	Arm Rest Bases, Chrome	MSRP \$45.00 pr
M1770	1961-66	Door Lock Knobs, Black	MSRP \$5.00 pr
M1771	1961-66	Door Lock Knobs, Chrome	MSRP \$5.00 pr
M1772	1967	Door Lock Knobs, Black	MSRP \$5.00 pr
M1773	1967	Door Lock Knobs, Chrome	MSRP \$5.00 pr
M1777	1968	Door Lock Knobs, Black	MSRP \$5.00 pr

## Scuff Plates

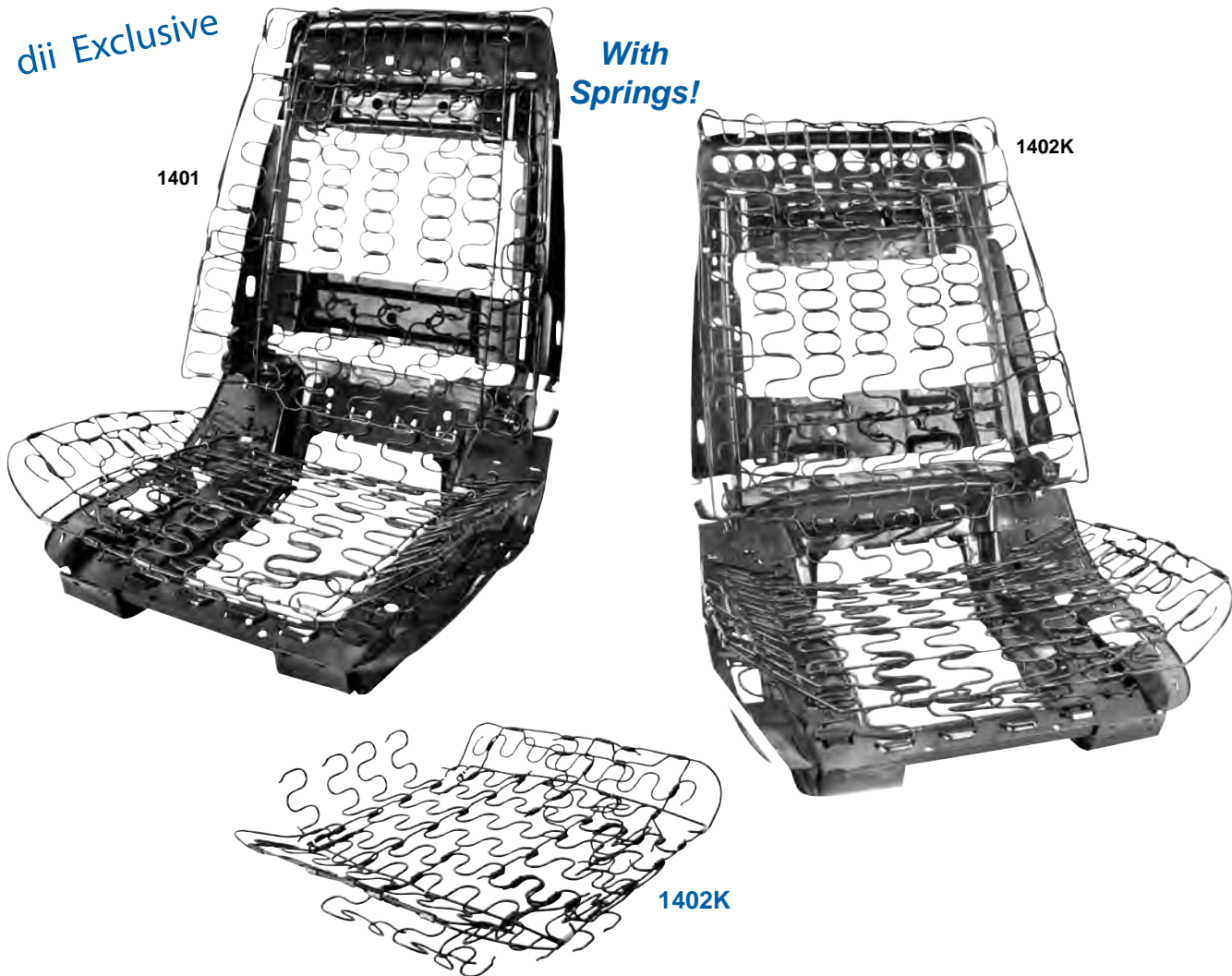


M1734	1961-64	Scuff Plate, RH	<b>MSRP \$29.00 ea</b>
M1735	1961-64	Scuff Plate, LH	<b>MSRP \$29.00 ea</b>
M1736	1965-70	Scuff Plate, RH	<b>MSRP \$29.00 ea</b>
M1737	1965-70	Scuff Plate, LH	<b>MSRP \$29.00 ea</b>

## Seats & Components

dii Exclusive

With Springs!



1401	1966-68	Seat Frame Assembly with Springs, RH	<b>MSRP \$445.00 ea</b>
1402	1966-68	Seat Frame Assembly with Springs, LH	<b>MSRP \$445.00 ea</b>
1402A	1969	Seat Frame Assembly with Springs, Fits RH or LH	<b>MSRP \$445.00 ea</b>
1402K	1966-69	Seat Bottom Spring, RH/LH	<b>MSRP \$102.00 ea</b>

Muscle Car Parts & Molding • Muscle Car Parts & Molding • Muscle Car Parts & Molding



**Seat Belts with Push Button:**  
6 colors to choose from

**60 Inch Belts**

SB-N2PB	Seat Belt with Push Button	<b>Black</b>
SB-N2PG	Seat Belt with Push Button	<b>Grey</b>
SB-N2PT	Seat Belt with Push Button	<b>Tan</b>
SB-N2PN	Seat Belt with Push Button	<b>Navy Blue</b>
SB-N2PR	Seat Belt with Push Button	<b>Red</b>
SB-N2PM	Seat Belt with Push Button	<b>Maroon</b>

**MSRP \$25.00 ea**



**Retractable with 12 " Sleeve & 7" Boot**

SB-R2PB	Seat Belt with Push Button	<b>Black</b>
SB-R2PG	Seat Belt with Push Button	<b>Grey</b>
SB-R2PT	Seat Belt with Push Button	<b>Tan</b>
SB-R2PN	Seat Belt with Push Button	<b>Navy Blue</b>
SB-R2PR	Seat Belt with Push Button	<b>Red</b>
SB-R2PM	Seat Belt with Push Button	<b>Maroon</b>

**MSRP \$65.00 ea**



**SB-90BR**

SB-20FLP	20" Webbing Chrome Push Buckle Black. (Chevy Pu Bench Seat)	<b>Black</b>
----------	---	--------------

**MSRP \$15.00 ea**

SB-90BR	90 Degree End Bracket	
---------	-----------------------	--

**MSRP \$5.00 ea**

*See also Accessory Section for more details...*



**Seat Belts with Lift Latch:**  
10 colors to choose from

**60 Inch Belts**

SB-N2LB	Seat Belt with Lift Latch	<b>Black</b>
SB-N2LG	Seat Belt with Lift Latch	<b>Grey</b>
SB-N2LM	Seat Belt with Lift Latch	<b>Maroon</b>
SB-N2LN	Seat Belt with Lift Latch	<b>Navy Blue</b>
SB-N2LR	Seat Belt with Lift Latch	<b>Red</b>
SB-N2LT	Seat Belt with Lift Latch	<b>Tan</b>

**MSRP \$35.00 ea**



**Retractable with 12 " Sleeve & 7" Boot**

SB-R2LB	Seat Belt with Lift Latch	<b>Black</b>
SB-R2LG	Seat Belt with Lift Latch	<b>Grey</b>
SB-R2LM	Seat Belt with Lift Latch	<b>Maroon</b>
SB-R2LN	Seat Belt with Lift Latch	<b>Navy Blue</b>
SB-R2LR	Seat Belt with Lift Latch	<b>Red</b>
SB-R2LT	Seat Belt with Lift Latch	<b>Tan</b>

**MSRP \$65.00 ea**

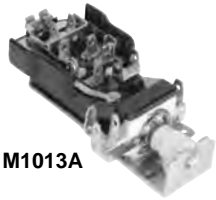
**3 Points Retractable Shoulder Belt**



SB-R3LB	Retractable 3 Point Seat Belt with Chrome Latch	<b>Black</b>
SB-R3PB	Retractable 3 Point Seat Belt with Push Button	<b>Black</b>
SB-R3PG	Retractable 3 Point Seat Belt with Push Button	<b>Grey</b>
SB-R3PT	Retractable 3 Point Seat Belt with Push Button	<b>Tan</b>
SB-R3PN	Retractable 3 Point Seat Belt with Push Button	<b>Navy Blue</b>
SB-R3PR	Retractable 3 Point Seat Belt with Push Button	<b>Red</b>
SB-R3PM	Retractable 3 Point Seat Belt with Push Button	<b>Maroon</b>

**MSRP \$120.00 ea**

## 1955-63



M1013A

M1013C



1702Q



LH40



LH01

M1013A		1955-56	Headlamp Switch	<b>MSRP \$42.00 ea</b>
M1013C	New	1957-63	Headlamp Switch	<b>Coming Soon!</b>
LH01		1962-72	Headlamp Dimmer Switch	<b>MSRP \$7.00 ea</b>
1702P		1959-63	Windshield Wiper Switch, 2 Speed With Washer	<b>MSRP \$45.00 ea</b>
LH40	New	1959-63	Windshield Wiper Switch	<b>Coming Soon!</b>
1709J	New	1963	Transmission Indicator Bezel	<b>Coming Soon!</b>
1709L	New	1963-64	Transmission Indicator Lens	<b>Coming Soon!</b>

## 1964-84



LH01



M1013B



M1013



1702P



7031884

20030351



8732777



1010H

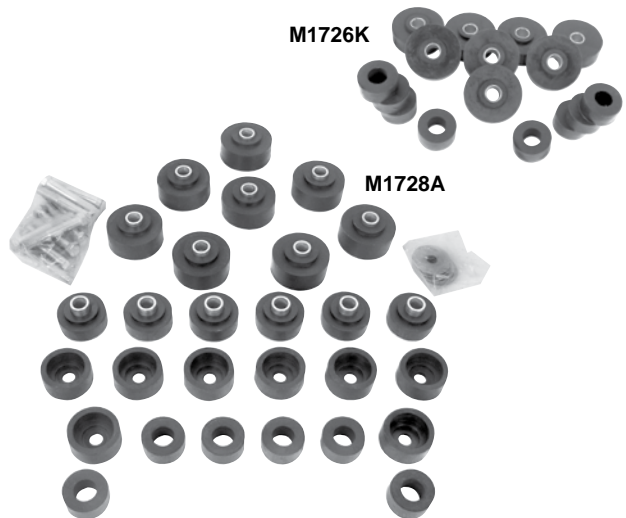


1010L

1709K	New	1964	Transmission Indicator Bezel	<b>Coming Soon!</b>
1709L	New	1963-64	Transmission Indicator Lens	<b>Coming Soon!</b>
LH01		1962-72	Headlamp Dimmer Switch	<b>MSRP \$7.00 ea</b>
M1013		1964-67	Headlamp Switch	<b>MSRP \$14.00 ea</b>
M1013B		1969-84	Headlamp Switch	<b>MSRP \$17.00 ea</b>
1702Q		1965-66	Windshield Wiper Switch, 2 Speed With Washer	<b>MSRP \$42.00 ea</b>
LH45		1965-66	Windshield Wiper Switch, 2 Speed	<b>MSRP \$39.00 ea</b>
LH50		1968	Windshield Wiper Switch, 2 Speed	<b>MSRP \$39.00 ea</b>
7031884		1967	Cigarette Lighter	<b>MSRP \$25.00 ea</b>
1010H		1962-72	Horn - High	<b>MSRP \$62.00 ea</b>
1010L		1962-72	Horn - Low	<b>MSRP \$62.00 ea</b>
8732777		1971-81	Dome Light Lens	<b>MSRP \$7.00 ea</b>
20030351		1971-81	Dome Light Base	<b>MSRP \$19.00 ea</b>



## Body Bushing Kits



M1726K	1960-64	Body Bushings, 8 Large, 8 Small	<b>MSRP \$30.00 set</b>
M1728	1965-66	Body Bushings w/bolts, Hard Top	<b>MSRP \$119.00 set</b>
M1728A	1965-66	Body Bushings w/bolts, Convertible	<b>MSRP \$135.00 set</b>



M1728B	1967-68	Body Bushings w/bolts, Hard Top	<b>MSRP \$119.00 set</b>
M1728C	1967-68	Body Bushings w/bolts, Convertible	<b>MSRP \$135.00 set</b>
M1728D	1969-70	Body Bushings w/bolts, Hard Top	<b>MSRP \$119.00 set</b>
M1728E	1969-70	Body Bushings w/bolts, Convertible	<b>MSRP \$135.00 set</b>

## Decal



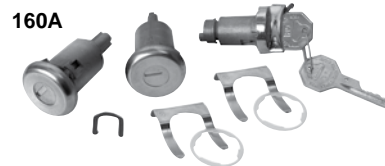
FL01	"Body by Fisher" Decal	<b>MSRP \$2.00 ea</b>
------	------------------------	-----------------------

## Ignition Locks

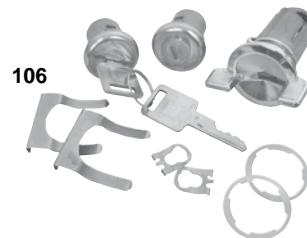


161	1958-64	Original	<b>MSRP \$17.00 kit</b>
157	1958-64	Octagonal	<b>MSRP \$14.00 kit</b>
158A	1965	Original	<b>MSRP \$15.00 kit</b>
158	1965	Octagonal	<b>MSRP \$12.00 kit</b>
100A	1966-67	Original	<b>MSRP \$17.00 kit</b>
100	1966-67	Later	<b>MSRP \$14.00 kit</b>
102	1969-78	Later	<b>MSRP \$17.00 kit</b>

## Ignition & Door Locks

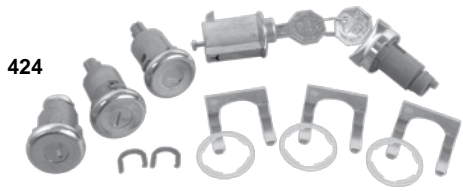


243	1958	Original w/flat pawl	<b>MSRP \$52.00 kit</b>
160A	1958 1961-64	Original w/long cyl.	<b>MSRP \$49.00 kit</b>
457	1959-60	Orig. w/long cyl. & pawl	<b>MSRP \$52.00 kit</b>
250	1961-64	Original w/flat pawl	<b>MSRP \$52.00 kit</b>
143A	1965	Original	<b>MSRP \$49.00 kit</b>



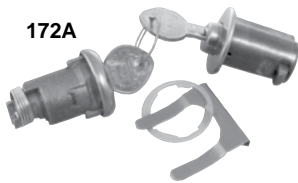
104A	1966-68	Octagonal	<b>MSRP \$34.00 kit</b>
104	1966-72	Later	<b>MSRP \$29.00 kit</b>
106	1969-78	Later	<b>MSRP \$34.00 kit</b>
219	1971-76	Later	<b>MSRP \$35.00 kit</b>

## Ignition, Door, Glove & Trunk Kits



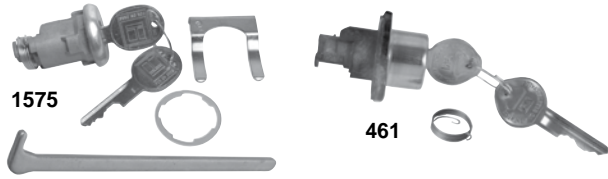
422	1958	Original w/ long cylinder	<b>MSRP \$84.00 kit</b>
423	1958	Original w/ short cylinder	<b>MSRP \$84.00 kit</b>
424	1961-62	Original w/ long cylinder	<b>MSRP \$72.00 kit</b>
425	1961-62	Original w/ short cylinder & pawl	<b>MSRP \$75.00 kit</b>
426	1963	Original w/ long cylinder	<b>MSRP \$80.00 kit</b>
427	1963	Original w/ short cylinder & pawl	<b>MSRP \$84.00 kit</b>
428	1964	Original w/ long cylinder	<b>MSRP \$80.00 kit</b>
429	1964	Original w/ short cylinder & pawl	<b>MSRP \$84.00 kit</b>
430	1965	Original	<b>MSRP \$69.00 kit</b>
431	1966	Original	<b>MSRP \$69.00 kit</b>
332	1967	Original	<b>MSRP \$65.00 kit</b>
334	1969-70	Later	<b>MSRP \$67.00 kit</b>
335	1971-76	Later	<b>MSRP \$85.00 kit</b>

## Glovebox & Trunk Lock Kits



172A	1958-60 1963	Original	<b>MSRP \$39.00 kit</b>
172	1958-60 1963	Later	<b>MSRP \$34.00 kit</b>
460	1959	Original	<b>MSRP \$50.00 kit</b>
171A	1961-62	Original	<b>MSRP \$39.00 kit</b>
171	1961-62	Later	<b>MSRP \$34.00 kit</b>
121A	1964	Original	<b>MSRP \$39.00 kit</b>
121	1964	Later	<b>MSRP \$34.00 kit</b>
174A	1965-66	Original	<b>MSRP \$39.00 kit</b>
174	1965	Later	<b>MSRP \$34.00 kit</b>
175A	1967	Original	<b>MSRP \$39.00 kit</b>
175	1967	Later	<b>MSRP \$34.00 kit</b>
150A	1968	Original	<b>MSRP \$42.00 kit</b>
150	1968-76	Later	<b>MSRP \$39.00 kit</b>

## Trunk Locks



1575	1953-94	Later (Kit with pawl)	<b>MSRP \$14.00 kit</b>
112AR	1958	Original w/ original ribbed cap	<b>MSRP \$24.00 kit</b>
112	1958-94	Later (excluding 1959)	<b>MSRP \$17.00 kit</b>
461	1959	Original	<b>MSRP \$32.00 kit</b>
112A	1960-68	Original	<b>MSRP \$20.00 kit</b>

See also our Lock Section for more details...

## Glovebox Locks



CL-955	New	1958-72	Keyless	<b>MSRP \$17.00 kit</b>
CL-960	New	1958-72	Keyless, Brushed Stainless	<b>MSRP \$17.00 kit</b>



168A	1958-60 1963	Original	<b>MSRP \$27.00 kit</b>
168	1958-60 1963	Later	<b>MSRP \$24.00 kit</b>
169A	1961-62	Original	<b>MSRP \$32.00 kit</b>
169	1961-62	Later	<b>MSRP \$24.00 kit</b>
118A	1964	Original	<b>MSRP \$27.00 kit</b>
118	1964	Later	<b>MSRP \$22.00 kit</b>



165A	1965-66	Original	<b>MSRP \$27.00 kit</b>
165	1965-66	Later	<b>MSRP \$22.00 kit</b>
166A	1967	Original	<b>MSRP \$27.00 kit</b>
166	1967	Later	<b>MSRP \$22.00 kit</b>
119A	1968-76	Original	<b>MSRP \$44.00 kit</b>
119	1968-76	Later	<b>MSRP \$39.00 kit</b>